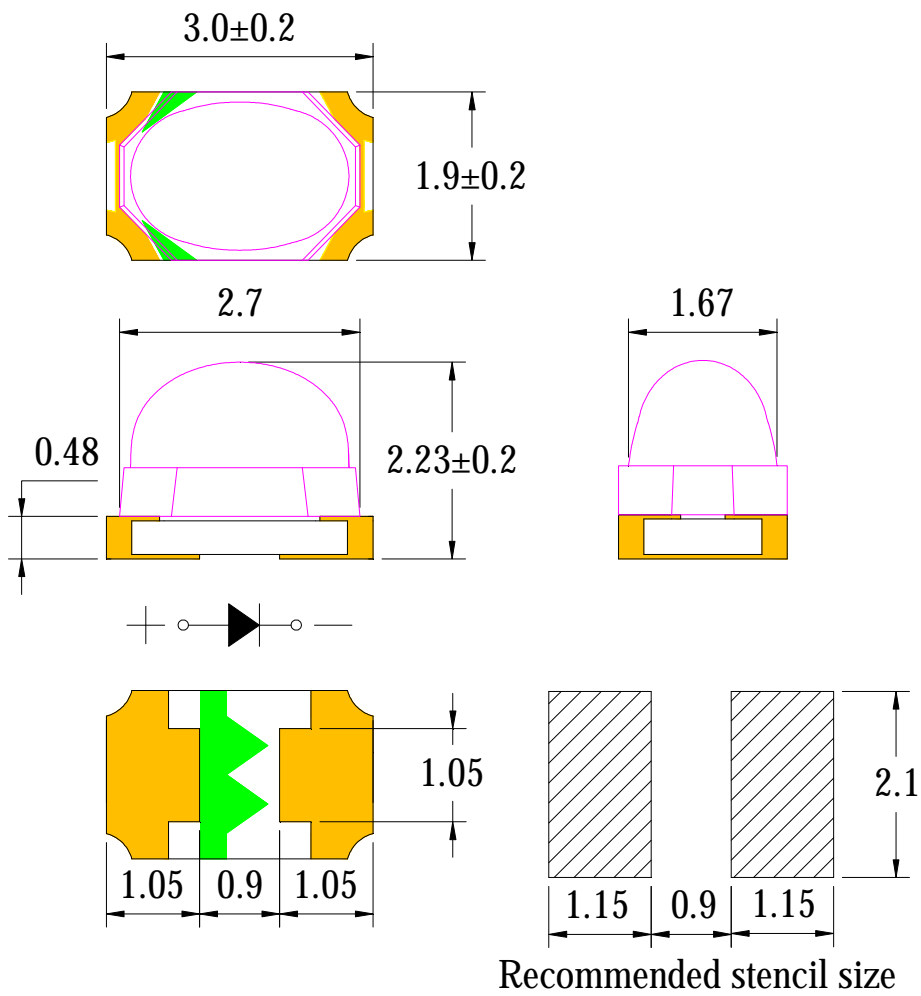


# **SL-T3020IRC050-L223-C-S**

\_\_\_\_\_  
\_\_\_\_\_  
\_\_\_\_\_

## Features

## Package Dimension




Notes:



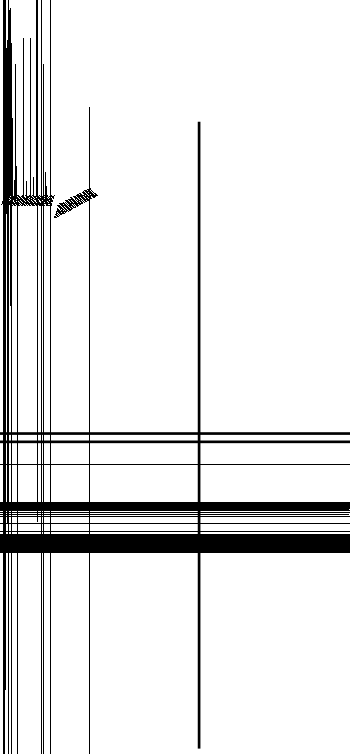


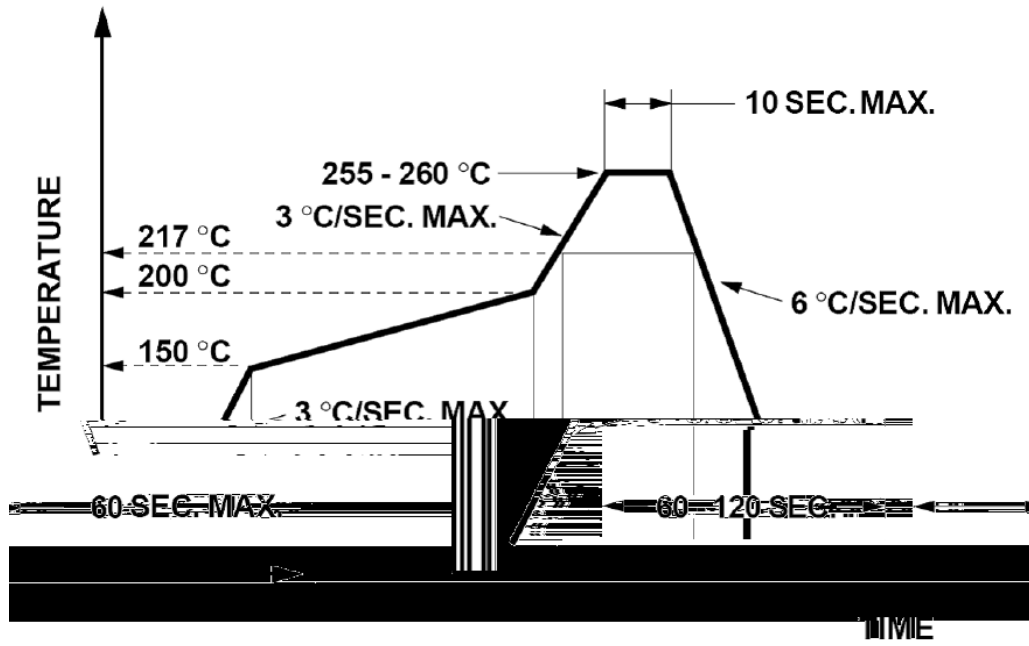


LIGHT



Note:





°C

