

LIGHT



Viewing Angle	2					
Peak Emission Wavelength	p	---	472	---	nm	I
Dominant Wavelength	d	465	---	473	nm	I

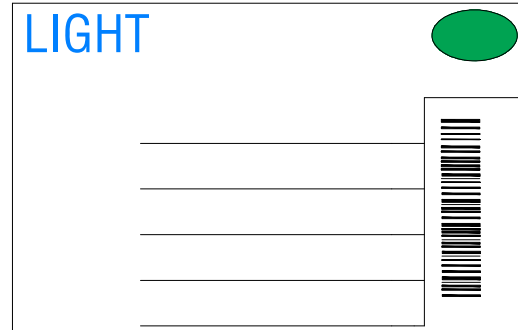
The dominant wavelength, d is derived from the CIE chromaticity diagram and represents the

--	--	--	--

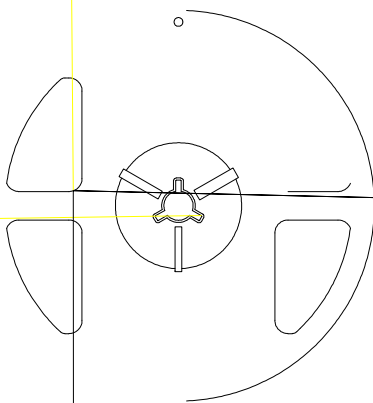
LIGHT



Label Explanation

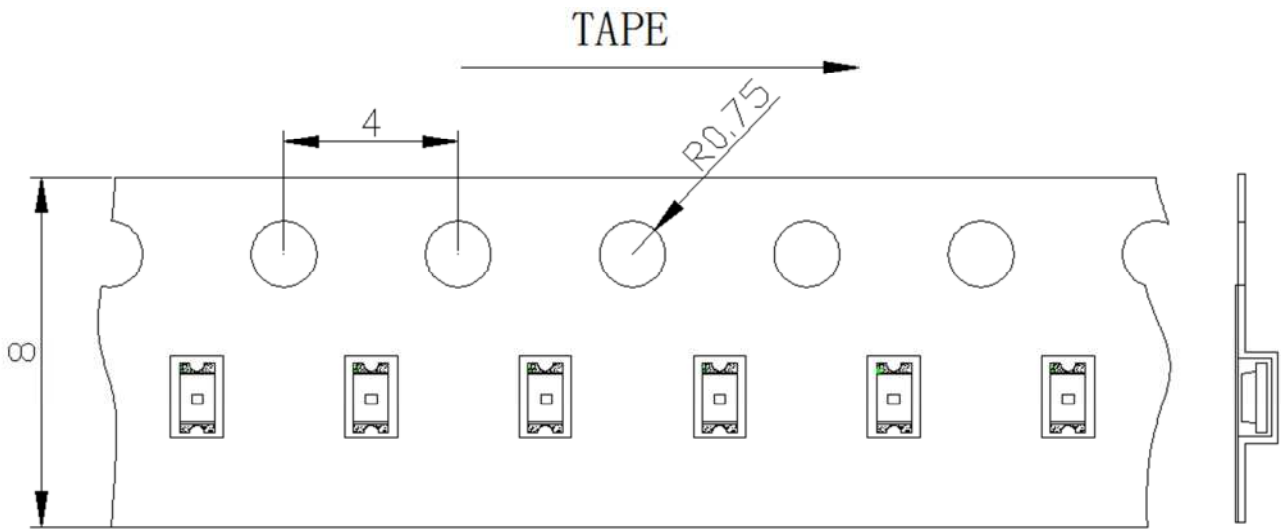


Reel Dimensions



--	--	--	--

Carrier Tape Specifications (Loaded Quantity: 1000 pcs/roll)



Moisture Resistant Packaging

