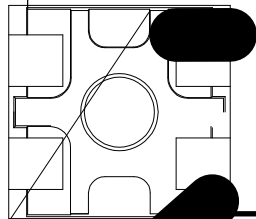
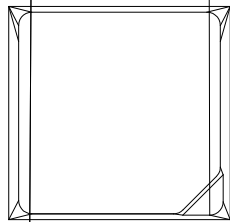




## Features

## Package Dimension




Note



## Electrical Optical Characteristics at Ta=25

Viewing Angle	2θ					
Peak Emission Wavelength	λ <sub>p</sub>	---	585	---	nm	I
Dominant Wavelength	λ <sub>d</sub>					
	λ					

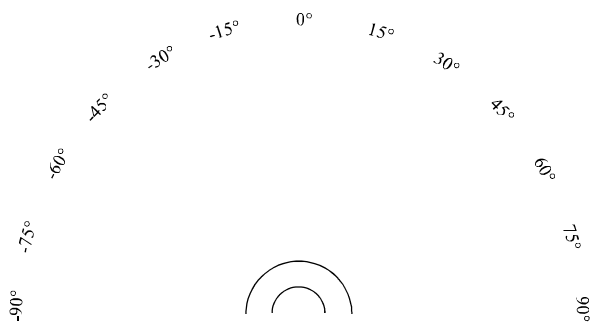
**Note:**

θ

The dominant wavelength, λ<sub>d</sub> is derived from the CIE chromaticity diagram and represents the

## Typical Electrical / Optical Characteristics Curves (25 Ambient Temperature Unless Otherwise Noted)


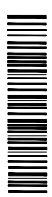
--	--


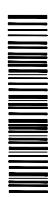


Relative Intensity

Ambient Temperature( )

## Label Explanation

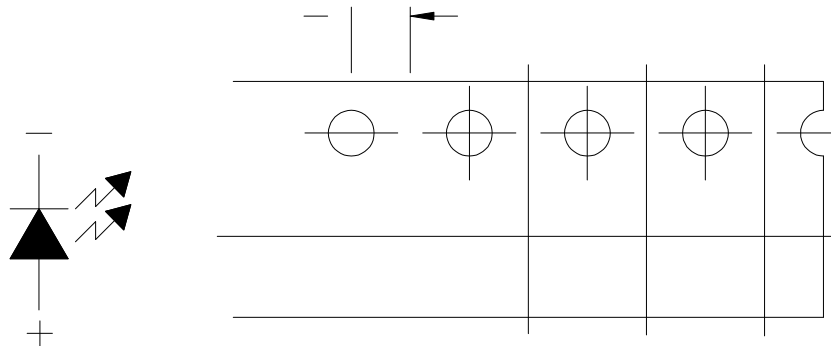
<b>LIGHT</b>	
Light Electronics CO., LTD.	
MODEL NAME: _____	 LOT NO: _____
QUANTITY: _____	
BIN: _____	
PACKING DATE: _____	
REMARKS: _____	

<b>LIGHT</b>	
Light Electronics CO., LTD.	
MODEL NAME: _____	 LOT NO: _____
QUANTITY: _____	
BIN: _____	
PACKING DATE: _____	
CUSTOMER P/N: _____	

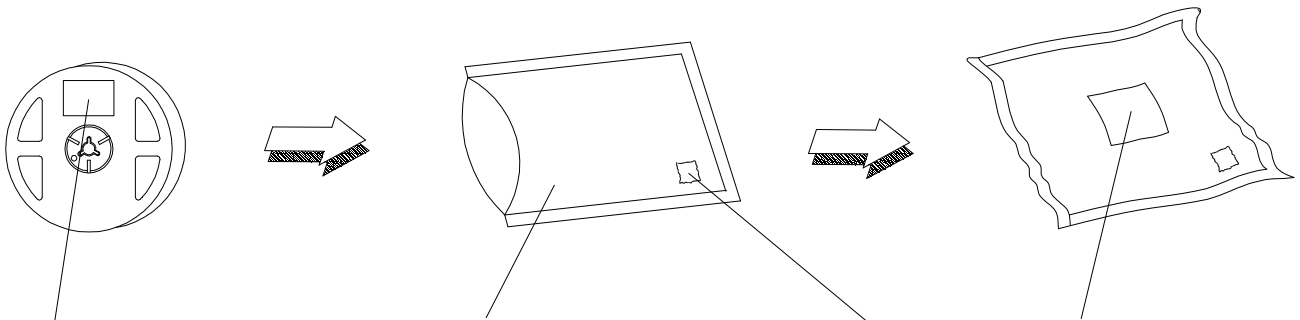
## Reel Dimensions

Note:

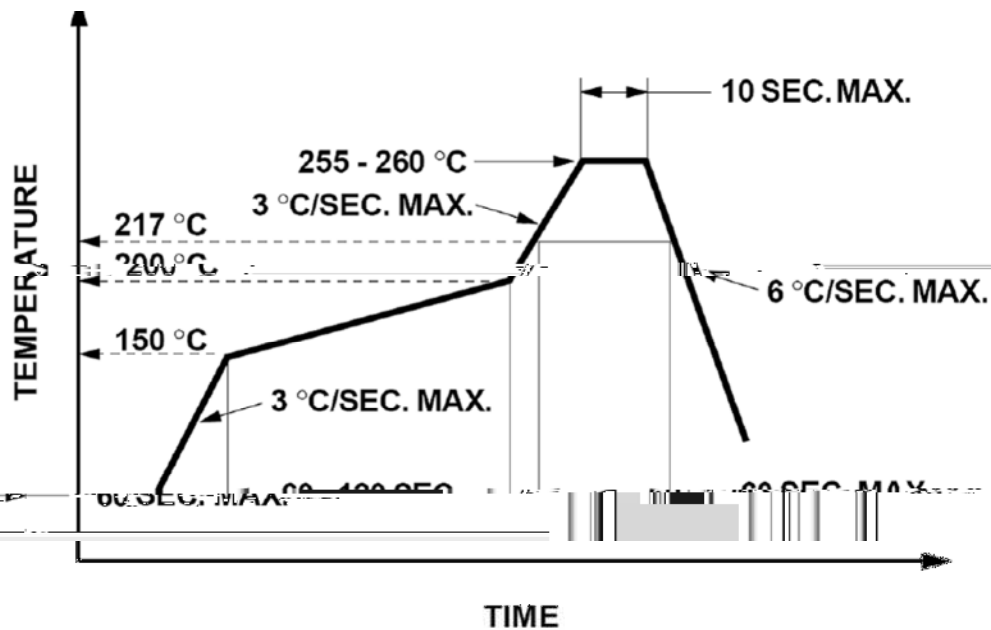
## Carrier Tape Specifications(Loaded Quantity: TBD)



## Moisture Resistant Packaging



## Suggest IR Reflow Condition For Lead Free



1. Reflow soldering should not be done more than two times.
2. When soldering, do not put stress on the LEDs during heating.

## Soldering iron

1. When hand soldering, the temperature of the iron must less than 300 °C for 3 seconds.
2. The hand solder should be done only once.

## Repairing

Repair should not be done after the LEDs have been soldered. When repairing is unavoidable, a double-head soldering iron should be used (as below figure). It should be confirmed beforehand whether the characteristics of LEDs will or will not be damaged by repairing.

