

LIGHT

LG

LG-05

SPEC. NO.
DATE
REV.

SZ2103
2022/12/27
A/4

Approved By:

[Handwritten signature]

同增

Vers

REV.		
A/0		
A/1	Change the p	
A/2	Pin and PCB	3 surface w
A/3	Pin and PCB	3 surface d
A/4	In order to i	mprove the
	product at the	client, the
	modified	from "0.05d
	tec	hnical and c

igner
增
增
增
增
增

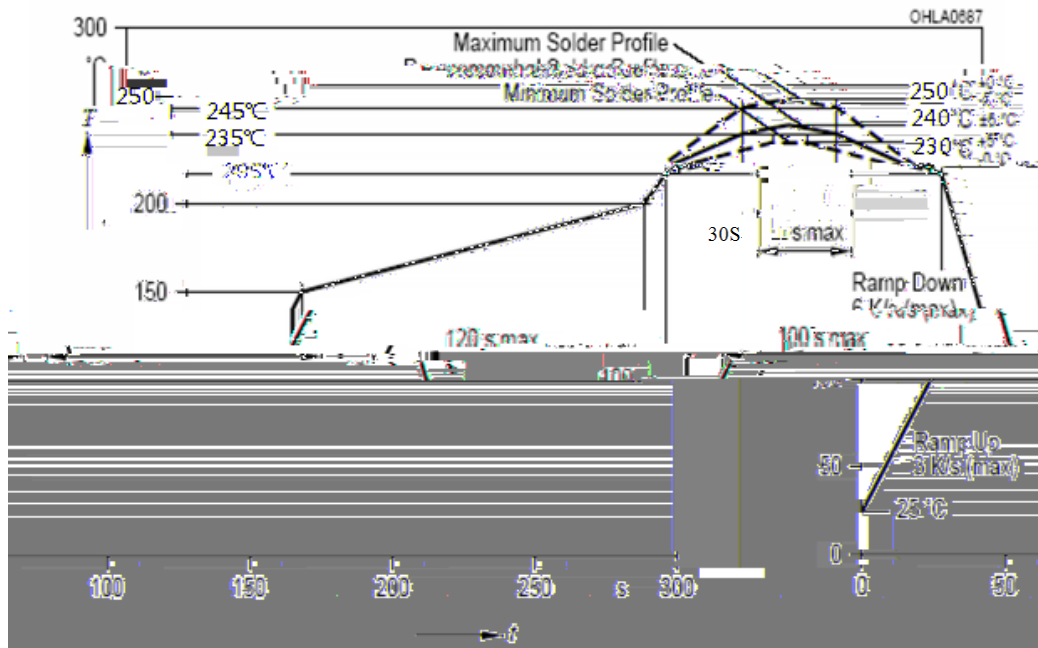
Part No. LG-05P D4D94K-

ge
LA

Electrical Optical Characteristics at Ta=25°C

PARAMETER	SYMBOL	MIN.	TYP.	MAX.	UNITS	TEST CONDITIONS
Range Of Spectral Bandwidth	0.5	840	---	1100	nm	---
Reverse Light Current	I_L	5 60	840 71	5 85	μA	$V_R=5V$ $E_e=1mW/cm^2$ $=940nm$
Reverse Dark Current	I_D	---	---	100	nA	$V_R=10V$ $E_e=0mW/cm^2$
Reverse Voltage	$V_{(R)}$	30	---	---	V	I_R
Forward Voltage	V_F	---	---	1.5	V	

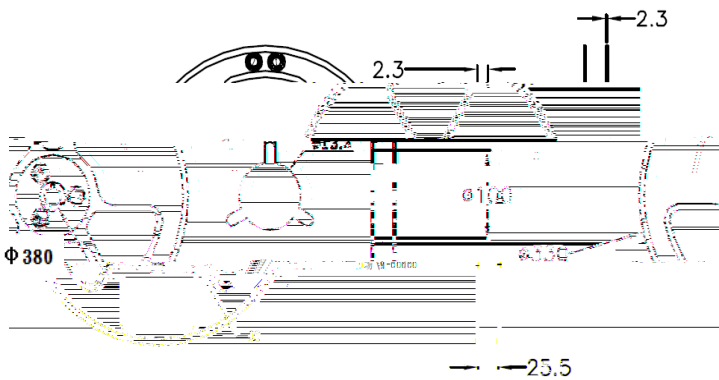
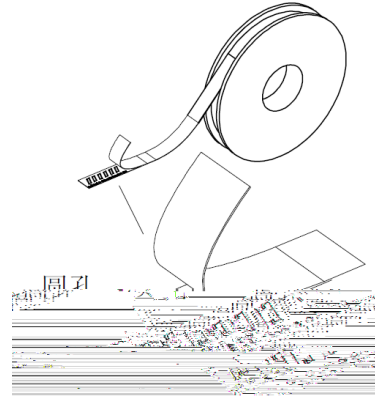
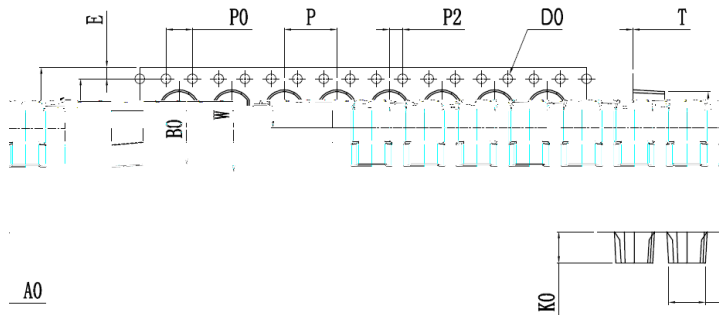
Suggest IR Reflow Condition For Lead Free:



保

Package

Package Dimensions



Item	Specification	
	Minum	Maximum
W	15.97	16.3
P	7.9	8.1
E	1.65	1.85
F	7.4	7.6
D	1.5	1.6
P0	3.9	4.1
P0x10	39.8	40.2
P2	1.9	2.1
AO	5.2	5.4
BO	10.6	10.8
KO	4.8	5.0

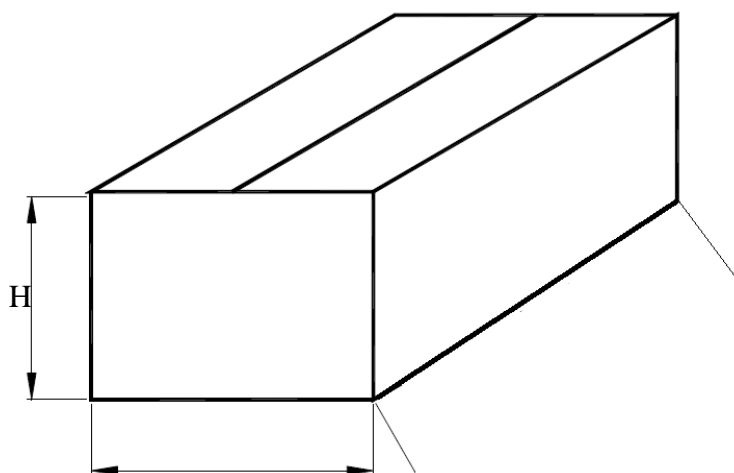
Notes:

- 1.All dimensions in millimeters.
- 2.All dimensions meet EIA-481-C requirements.
- 3.Cover tape by a heat sealing manner.

Package Spec:

1.1500pcs per reel .

15 reel per carton/Total 22500pcs per carton.



Item	Specification	
	minnum	Maximum
L	465	475
W	405	415
H	405	415