

SL-T2835WD060-L70-A-XX

DATA SHEET

SPEC.NO.: SZ22081701
DATE: 2022/08/17
REV.: A/0

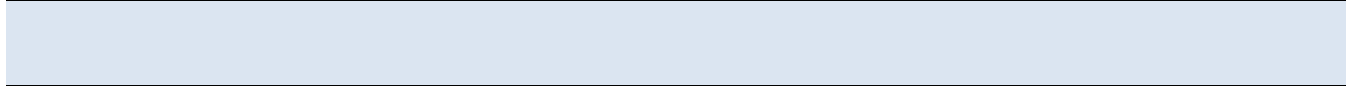
Approved By:

Checked By:

Prepared By:

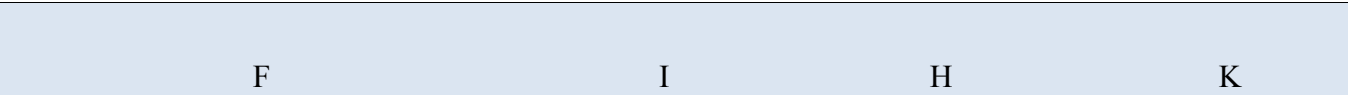
LIGHT

3(+



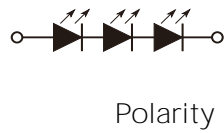
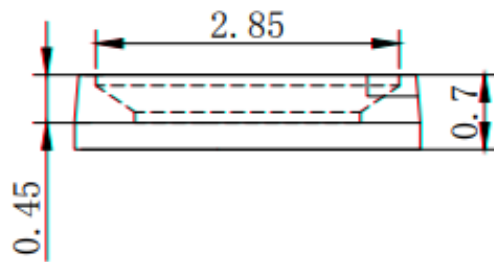
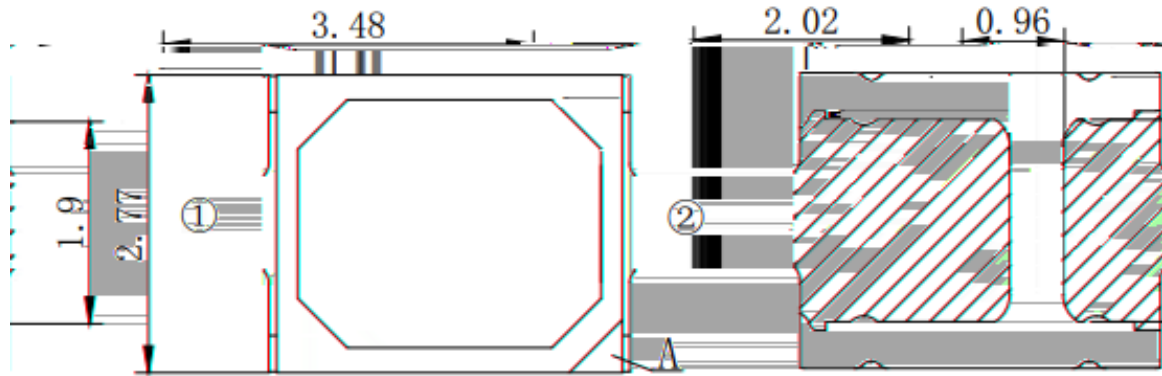
IB J(.) +M: & &B- &7 , +	. &	, +&&	&&	. . /)& ++	&	++
IB J(.) +M: & &B- &7 &	. &	&&&	&&	. . /)& ++	&	++
IB J(.) +M: & &B- &7)&	. &)&&&	&&	. . / (+ & &	&	+

3(+



F	I	H	K
Forward Current		(&	7
Pulse Forward Current	F	(&&	7
Power Dissipation	F	(.	M
Operating Temperature	J	& &&	
Storage Temperature	J	& &&	
Junction Temperature	J	(+	
Welding temperature	J	H C	0(, & 0)+& &
7	8C	; I:	(&&& L

D %&: & & %&
(

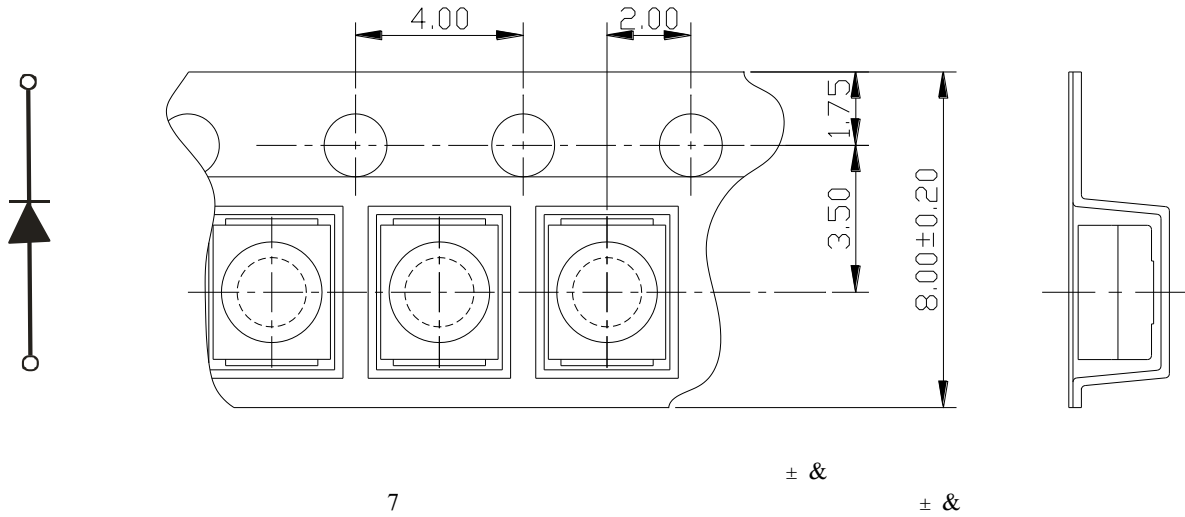


D
7 D C 7
(7
) 7

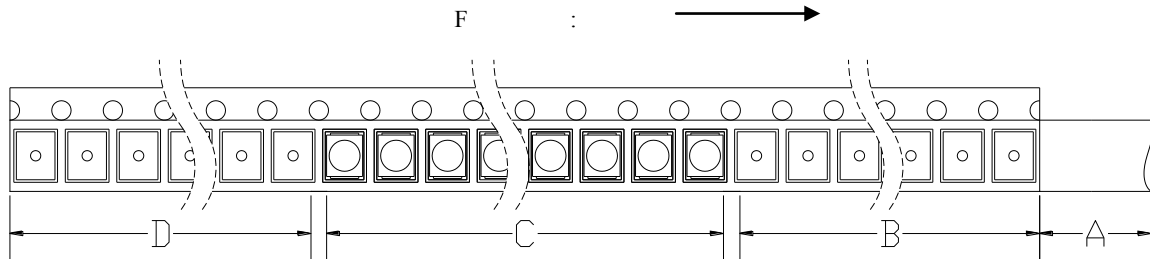
&

&
I

◇

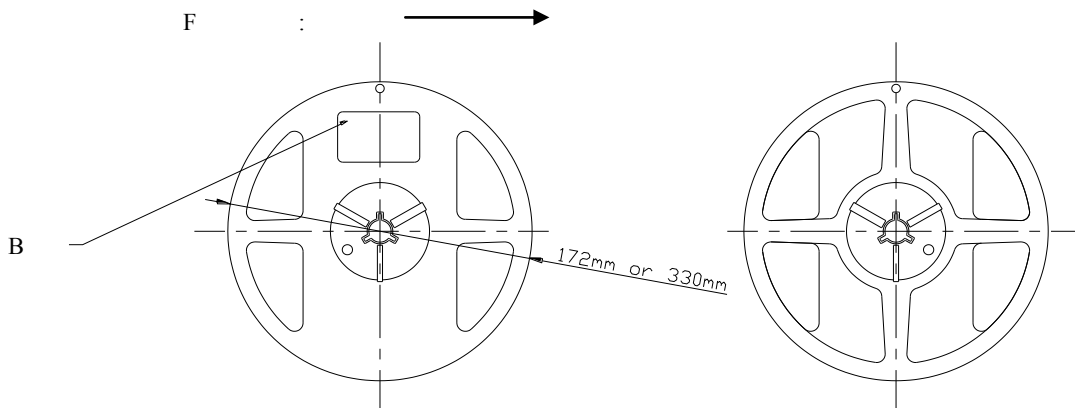


◇



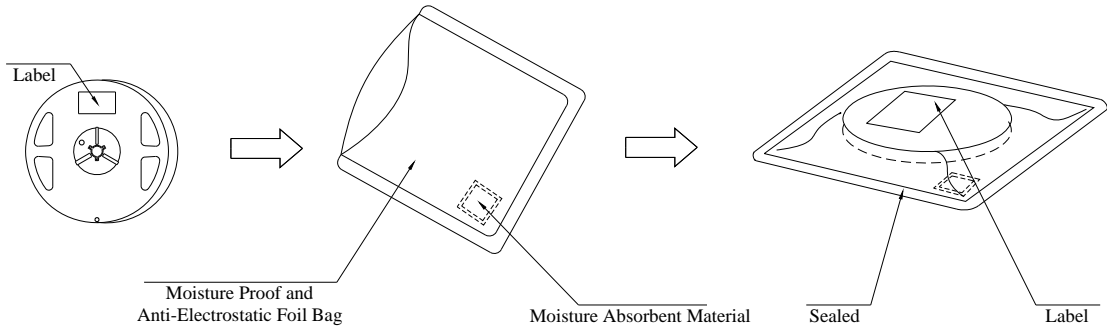
7)&& 8 (&& 9 &&& % &&& : (&&
 7 0J 9 J)&& 18 0B ; (&& 19 0 &&& .&&& B B 1: 0J ; (&&

◇

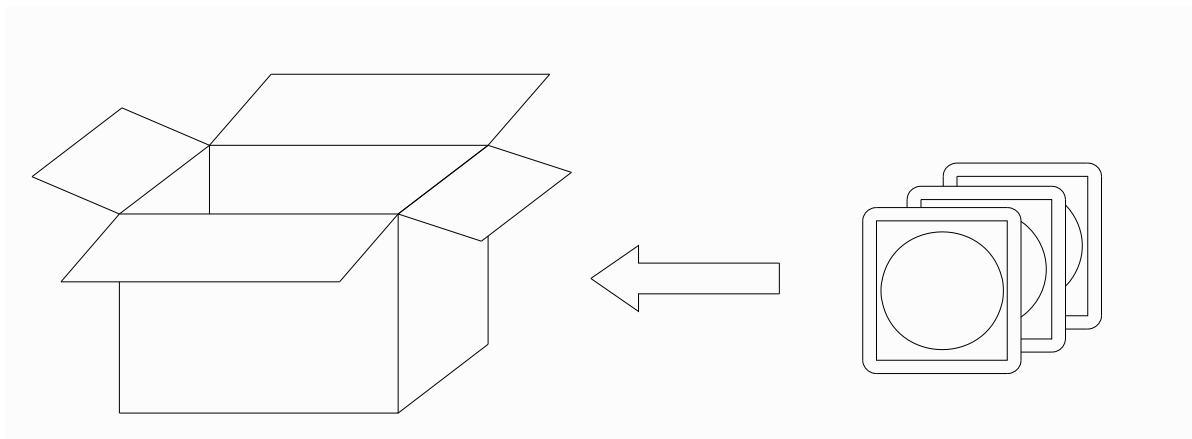




Moisture Proof and Anti-Electrostatic Foil Bag



Cardboard Box

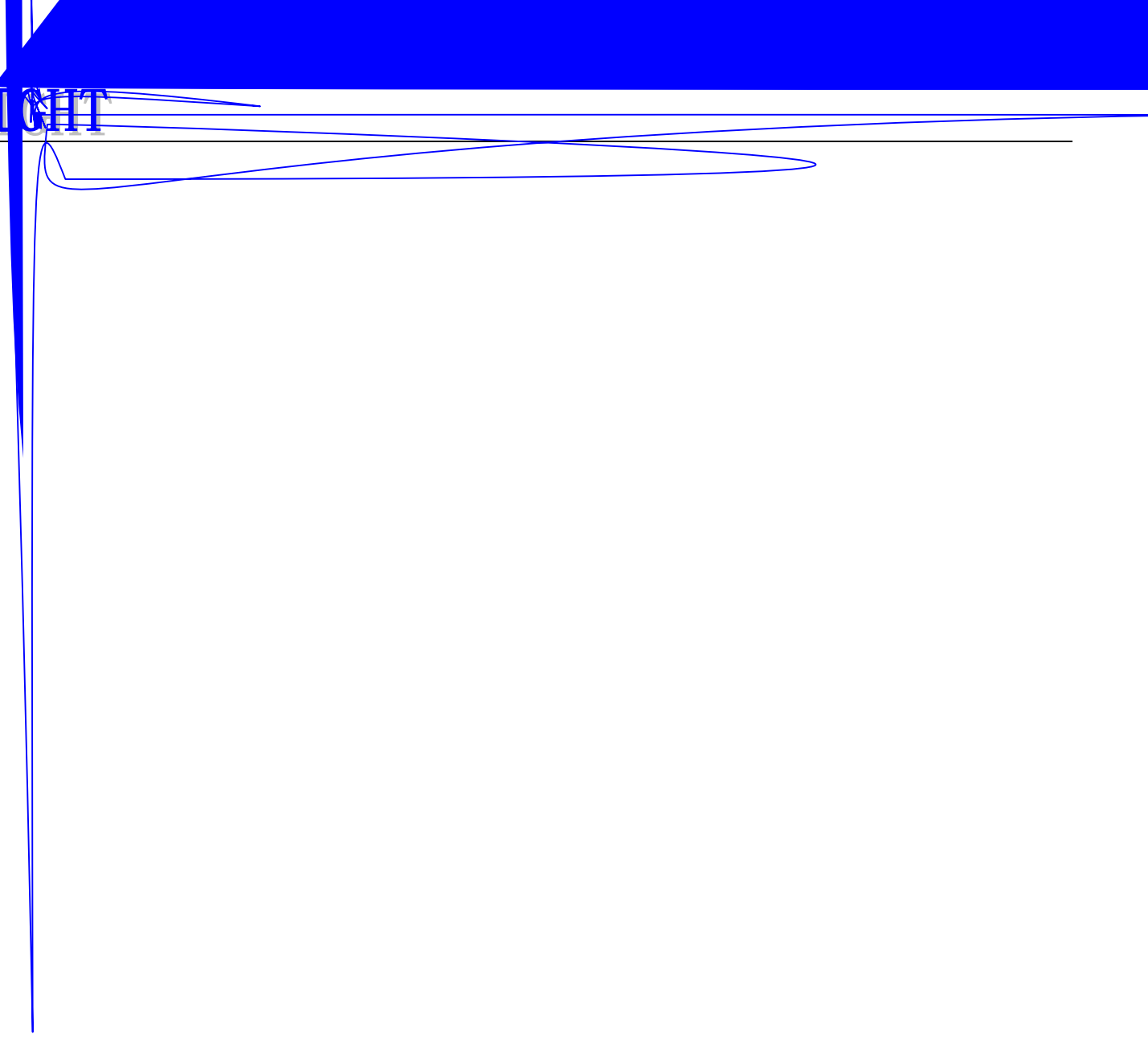


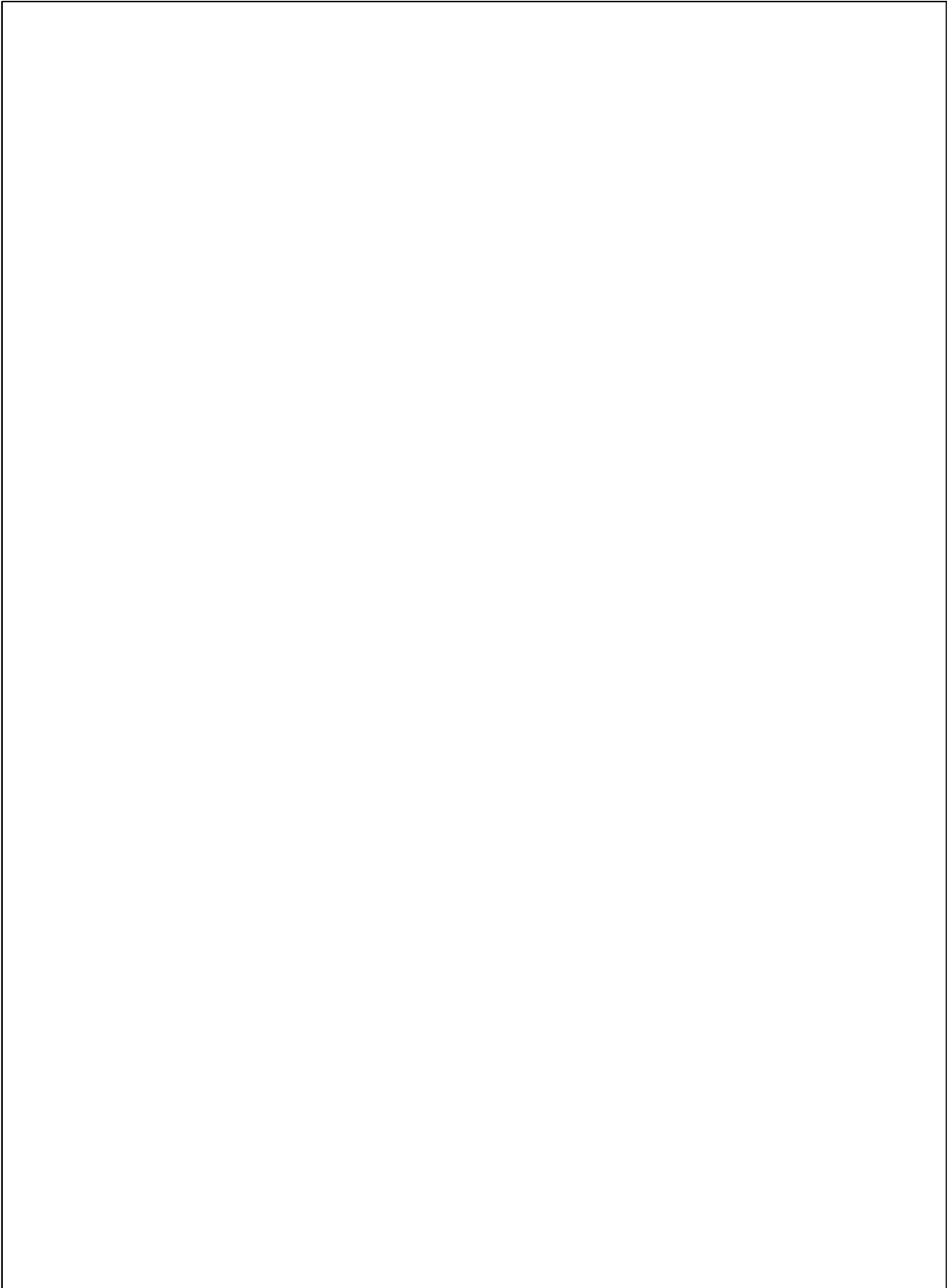
Label Explanation



TYPE NO./	QUANTITY/
BIN./	DATE CODE/
REMARKS/	LOT NO./

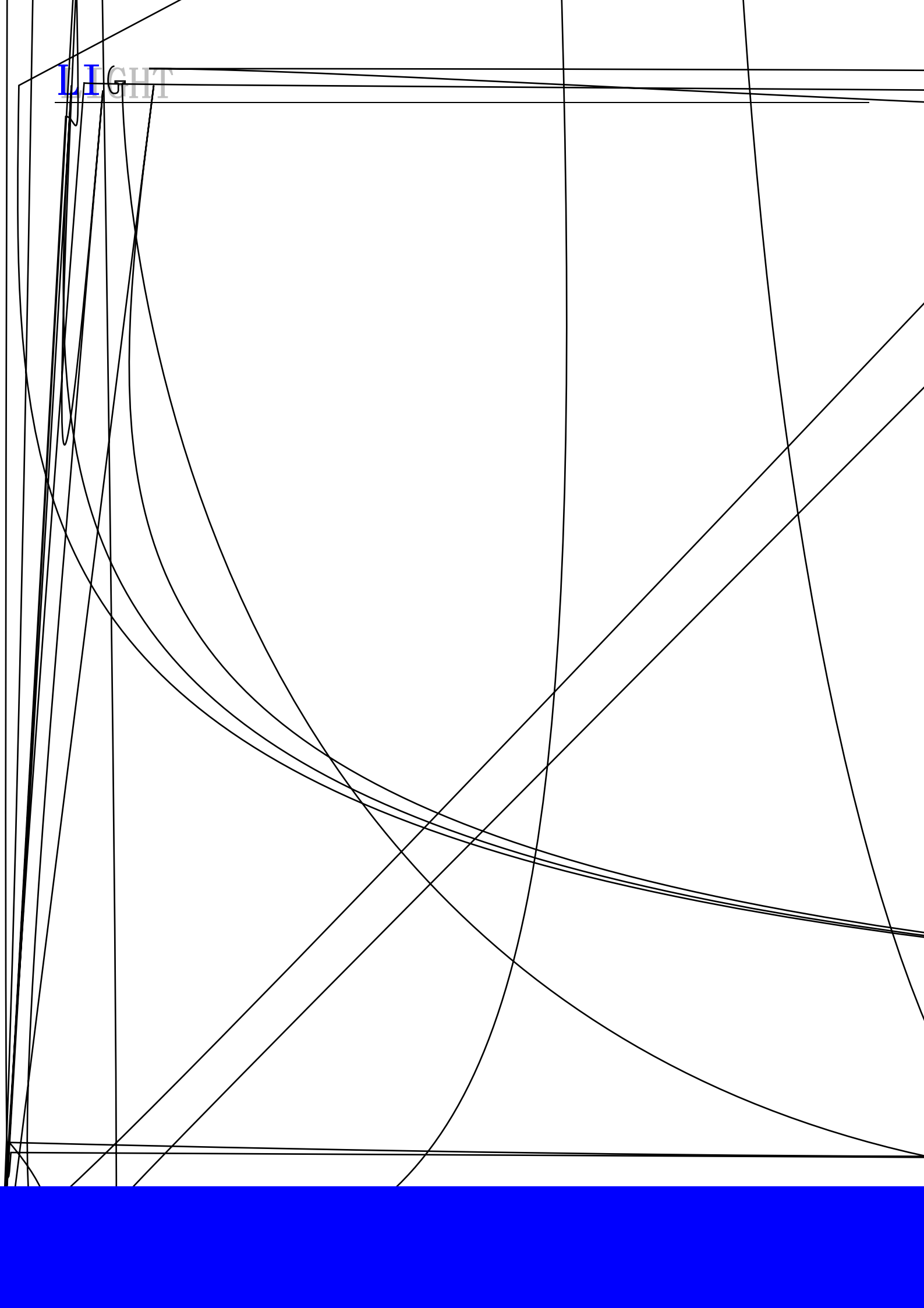
LIGHT

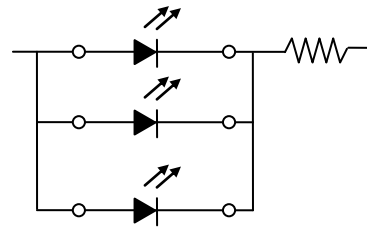
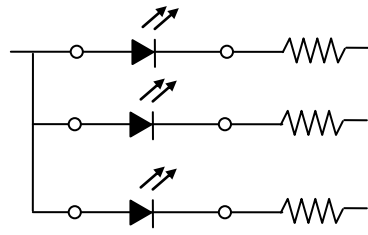




LIG

LIGHT





B; :

B; :

J :

9

9

F

B; :

M

;

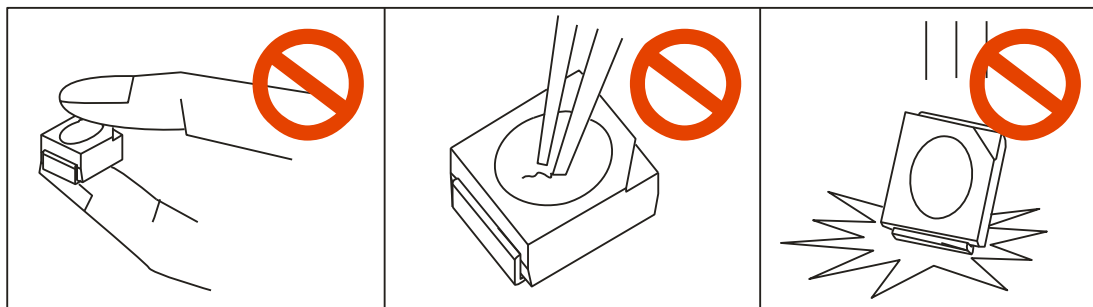
B; :

B; :

B; :

H

I



B; :

J

M



(+) &
) &) +
) +	&
&	+
+	+ &
+ &	++

. .	/ &
/ &	/ (
/ (/

D

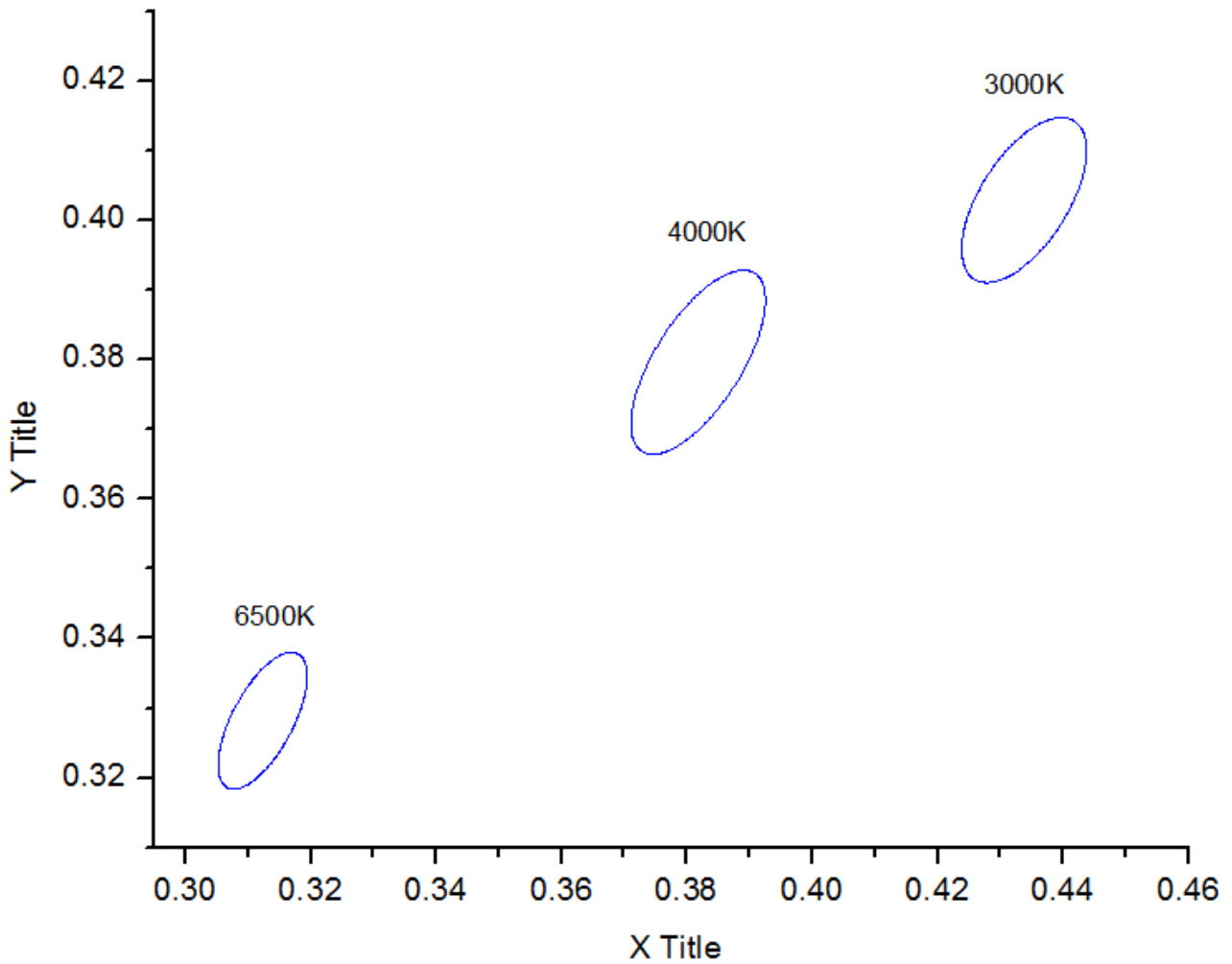
J
(J

& L

-

& L

-



	&))/	& & (&&& -.	&&&),	+) ((+
	&). .	&)- /-	&&&))	&&&))	+) -(+
	&) ()	&)(. (&&& ()	&&&& / +	+ . +-	+

D
7

&&

&&

LIG

LIGHTELECTRONICS CO., LTD.
