

LG-ITR2C-553924

DATA SHEET

SPEC.NO.: SZ19090505
DATE: 2019/09/09
REV. A/0

Approved By:

Checked By:

Prepared By:

■ Features

-
-
- □
-
-
-

■ Descriptions

- □
- □

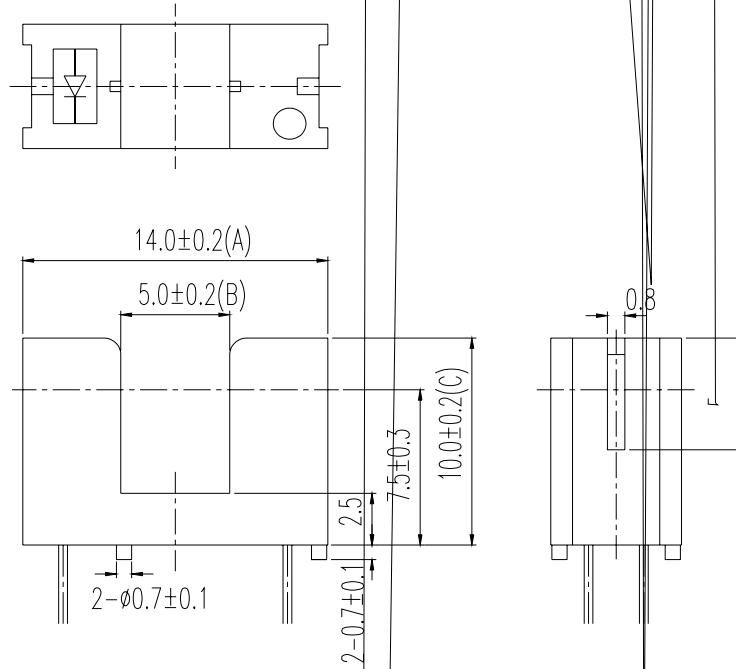
■ Applications

-
-
-
- □
-

■ Device Selection Guide

Device No.	Chip Material	LENS COLOR

■ Package Dimensions



Notes:

1. All dimensions are in millimeters.
2. Tolerances unless dimensions ± 0.25 mm.
3. Lead spacing is measured where the lead emerge from the package.

