

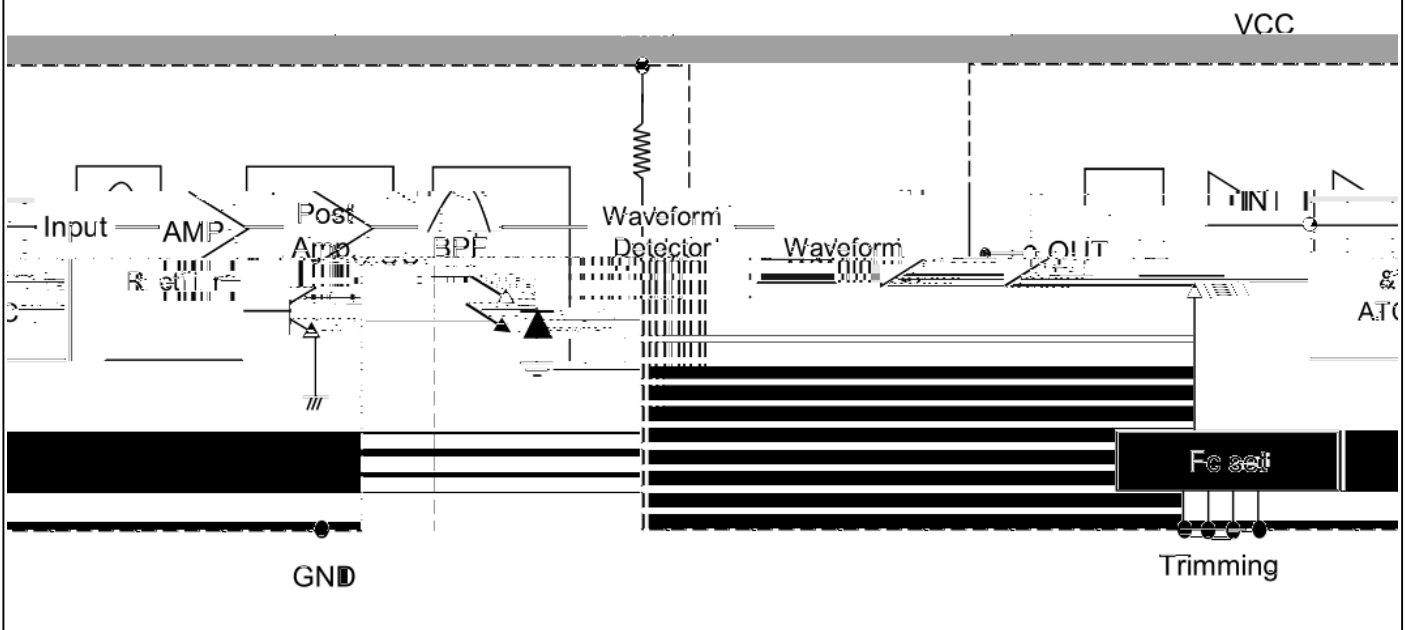
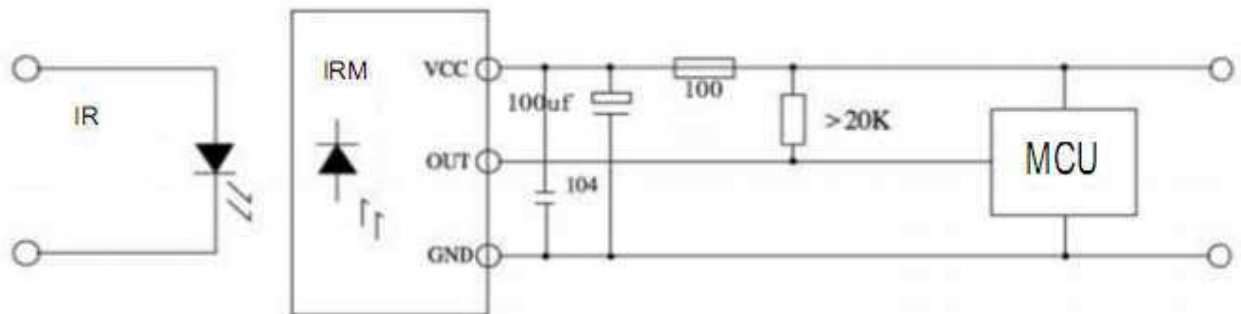
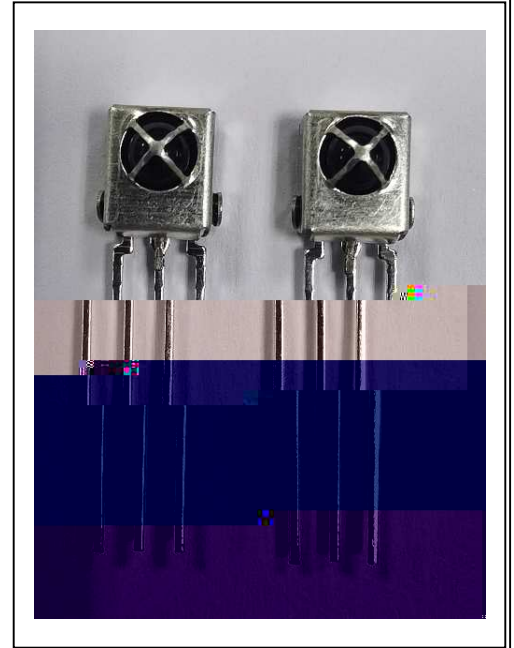
1.

2.

3.

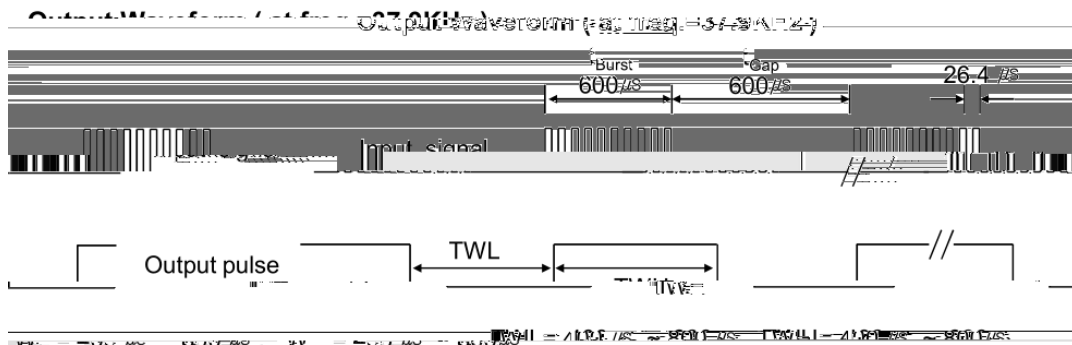
4.

5.





11.



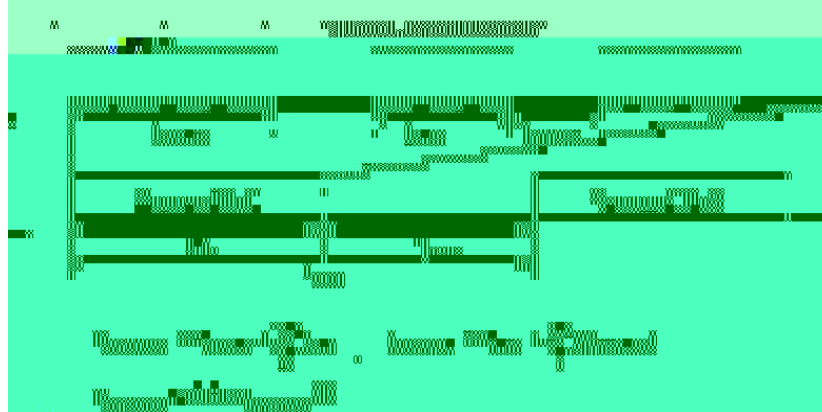
ed for optimal function.

\*  $t_{pi} \geq 10/f_0$  is recommended

12.

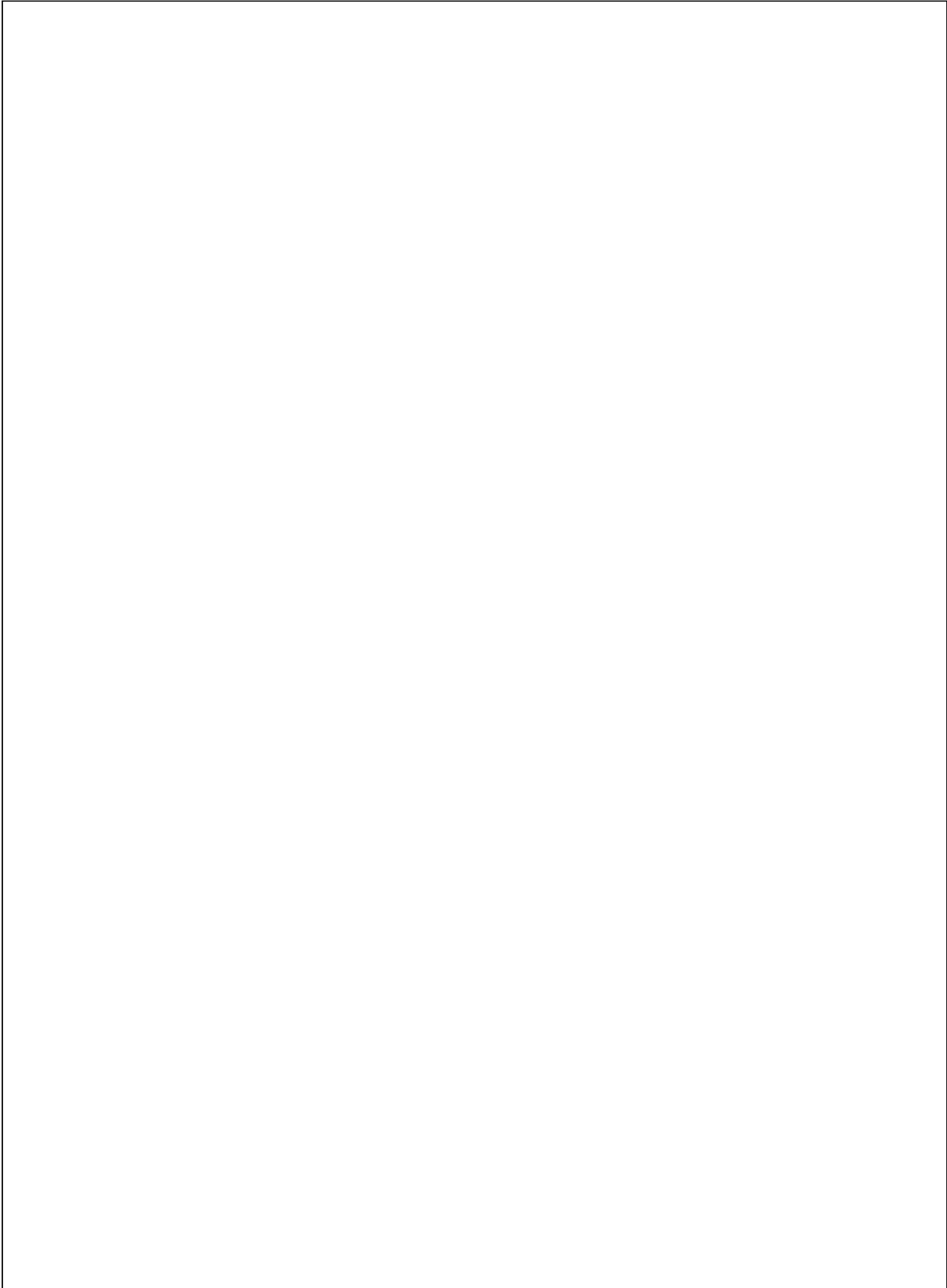
Minimum Burst Length $t_{burst}$ ( number of pulses per burst)	200us
Minimum Burst Gap time $t_{burst\_gap}$ ( number of pulses per burst) between two bursts	300us
Minimum data pause time ( for full frame repeat code )	< 1 ms

Fig 1. The diagram of min. burst length

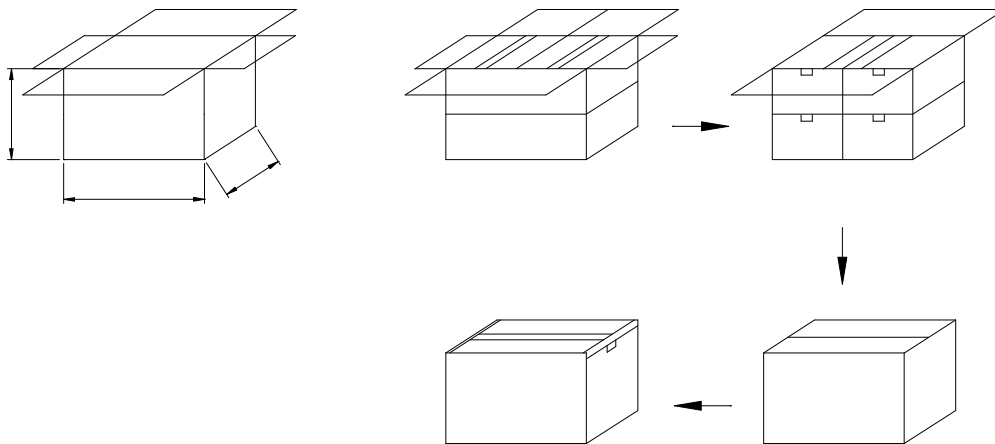
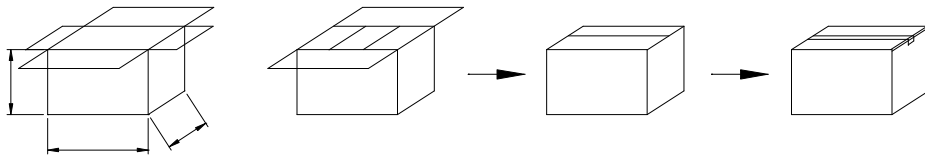
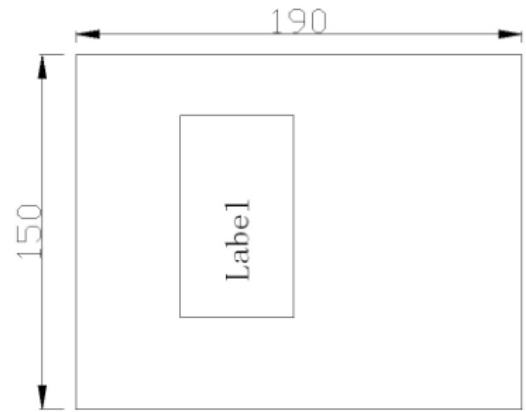


13.

	1.5k ,			



16.



(pcs / )	( / )	( / )
500	10	4