



—
—
—

--	--	--	--



Fig.1 Spectral Distribution

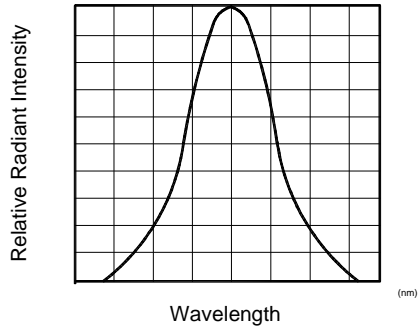


Fig.2 Forward Current Vs Ambient Temperature

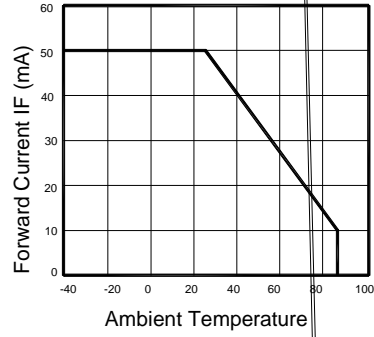


Fig.4 Relative Radiant Intensity Vs Ambient Temperature

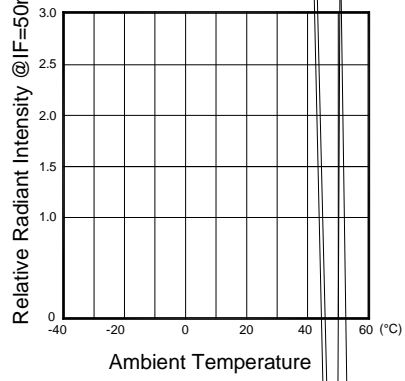
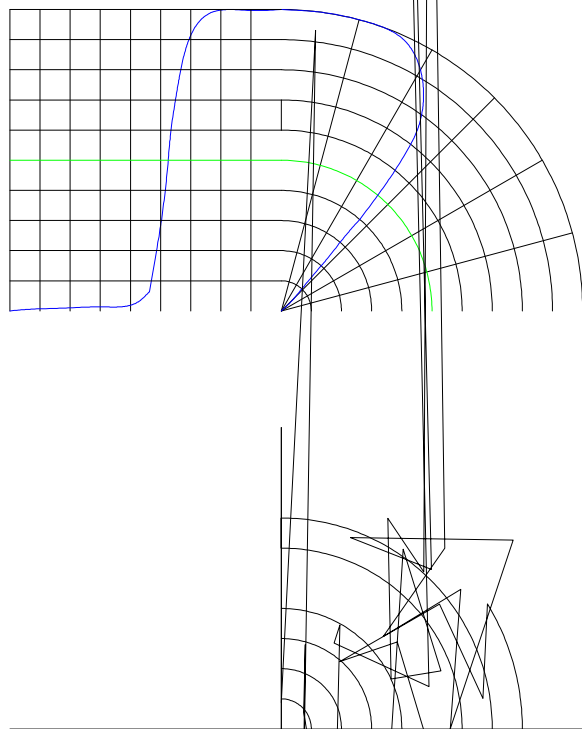


Fig.6 Radiation Diagram

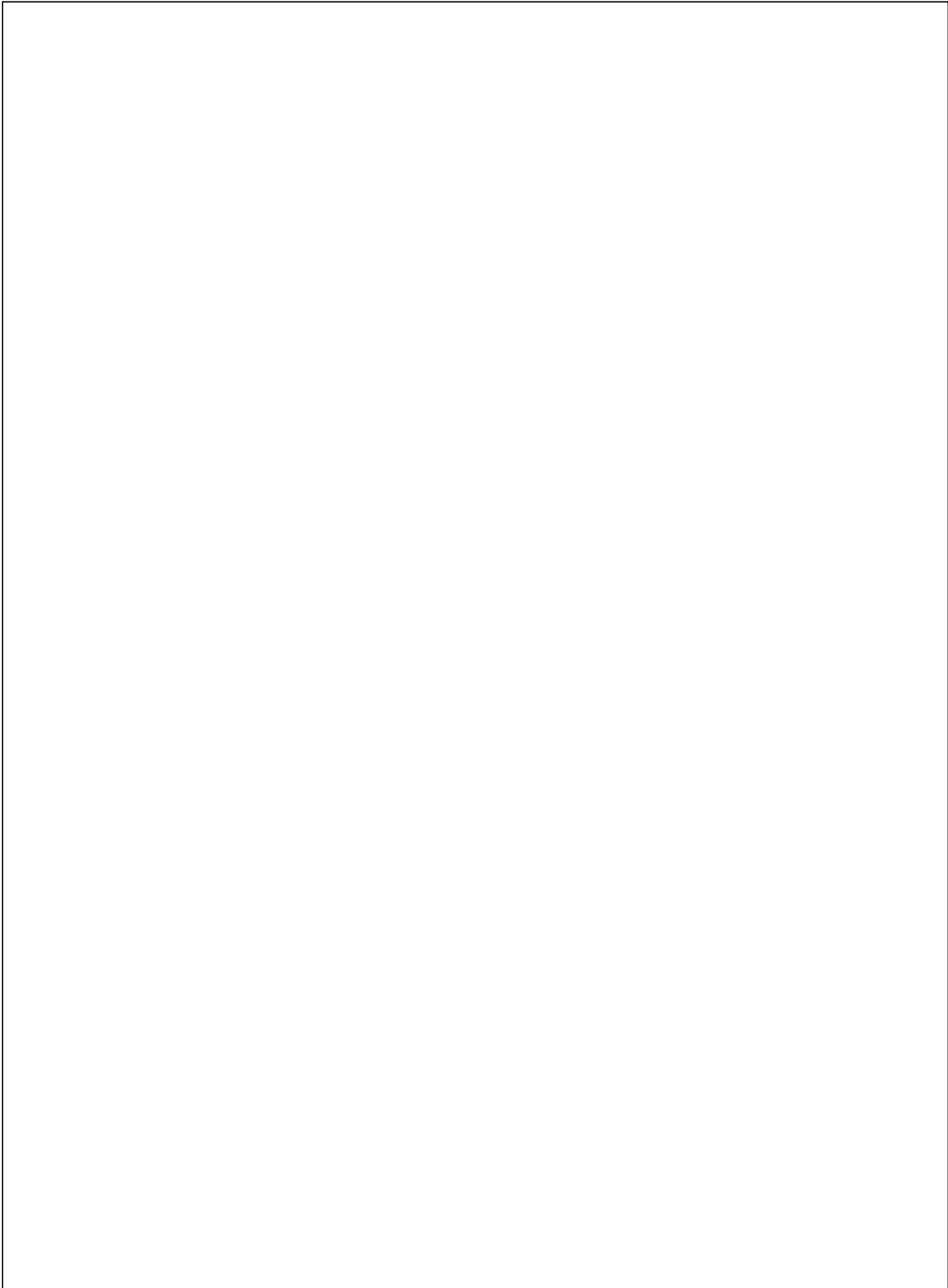


LIGHT

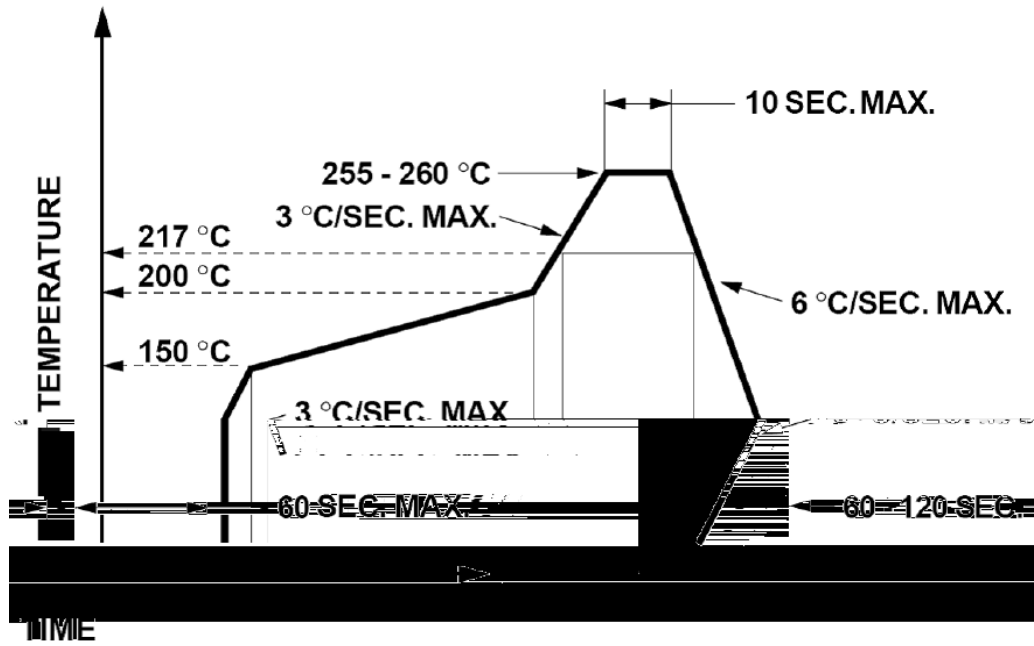
LIGHT ELECTRONICS CO., LTD.

LIG

LIGHT ELECTRONICS CO., LTD.



--	--	--	--



°C

