

Ground-Detecting Module Product Specifications

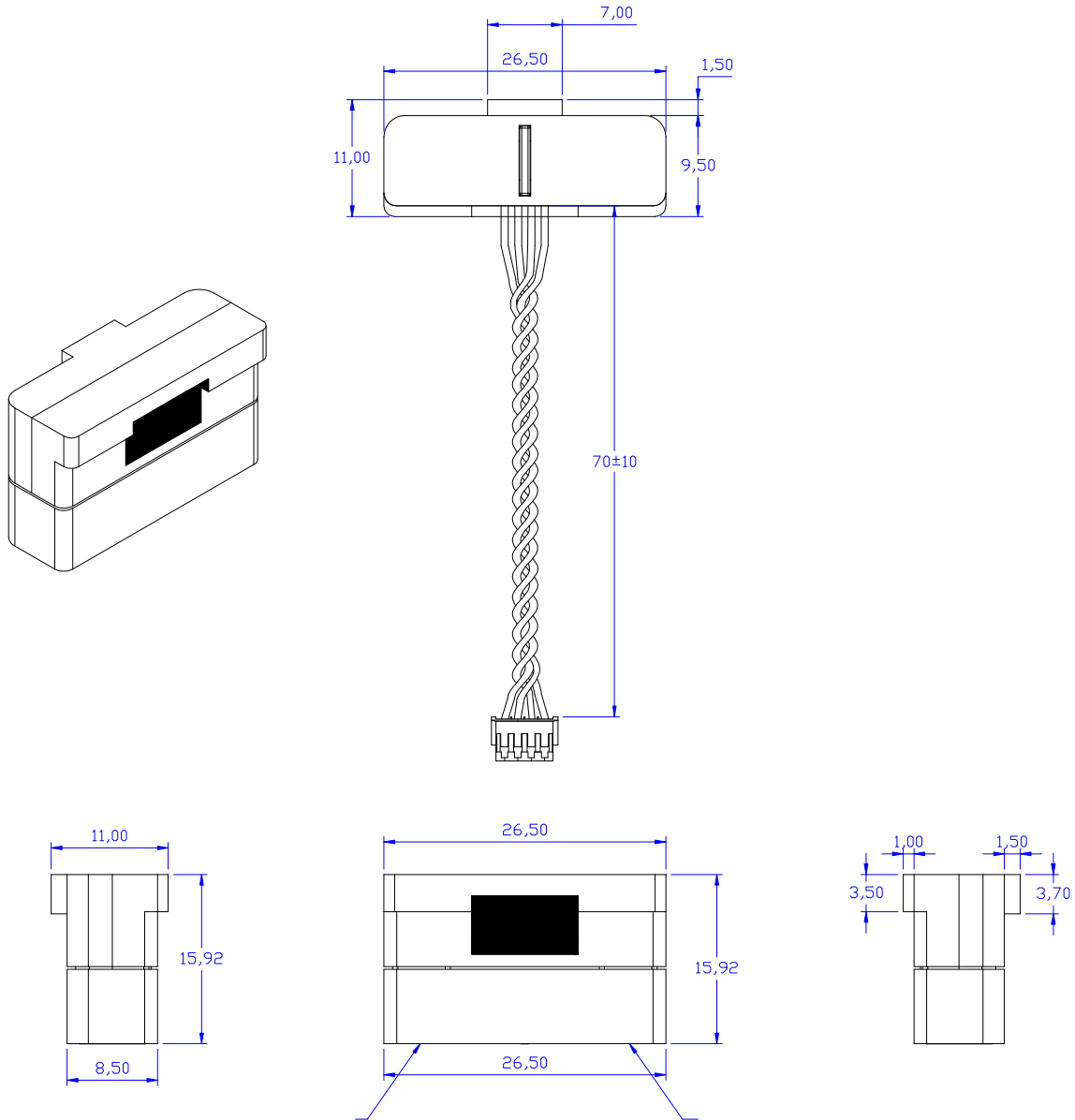
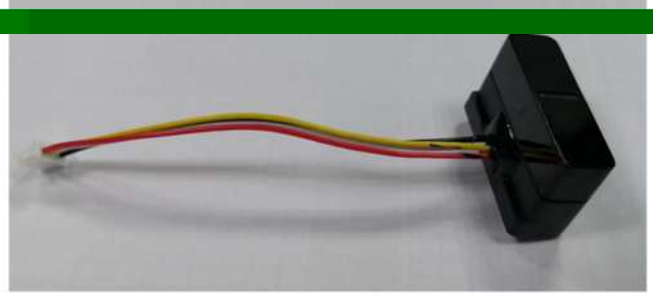
SPEC. NO. : SZ22101201
DATE : 2022/11/7
REV. : A/1

Approved By:

Checked By:

Prepared By:

Dimensions of Module



Notes:

1. All dimensions are in millimeters.
2. Tolerance is ± 0.50 mm unless otherwise noted.
4. Specifications are subject to change without notice.

保潔

