

# **SL-T0603IRC020-L55**

## **DATA SHEET**

SPEC. NO. : SZ20050901  
DATE : 2020/10/22  
REV. : A/2

Approved By:

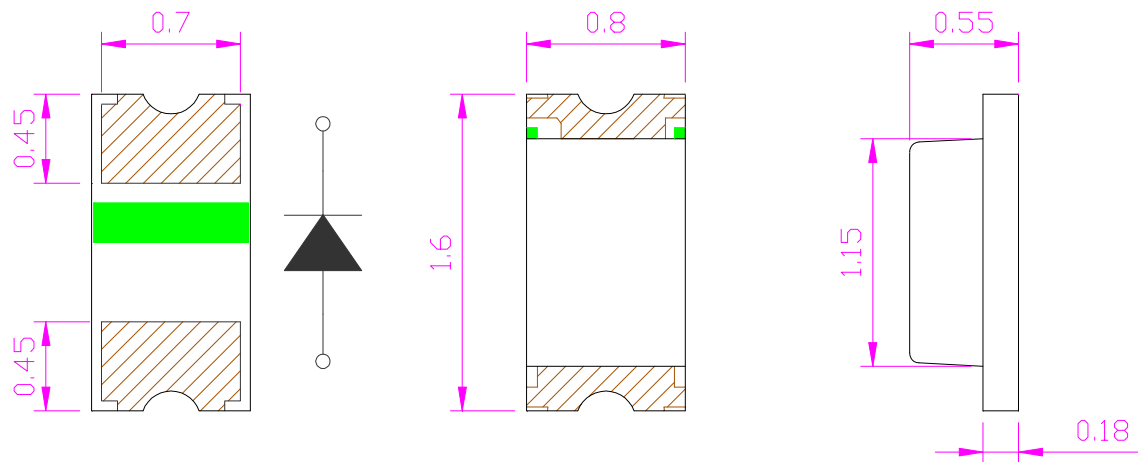
Checked By:

Prepared By:

## Features

- Pb free product—RoHS compliant
- Low power consumption, High efficiency
- Reliable and rugged
- Long life – solid state reliability
- Good spectral matching to Si photo detector

## Package Dimension



Part NO.	Chip Material	Lens Color
SL-T0603IRC020-L55	AlGaAs	Water Clear

### Notes:

1. All dimensions are in millimeters.
2. Tolerance is  $\pm 0.10$ mm unless otherwise noted.
3. Specifications are subject to change without notice.



LIGHT

**LIGHT ELECTRONICS CO., LTD.**

**Part No. SL-T0603IRC020-L55**

**Page**

**4 of 9**

LG-QR-R009-01

**Typical Electrical / Optical Characteristics Curves**  
**(25°C Ambient Temperature Unless Otherwise Noted)**

## Infrared Emitting Diode Specification

●Commodity: Infrared Emitting Diode



●Radiant Intensity Bin Code (At 20mA)

BIN CODE	Min.(mW/sr)	Max. (mW/sr)
15	1.3	1.55
16	1.55	1.85
17	1.85	2.2
18	2.2	2.6
...	...	...



**NOTE:** The I<sub>e</sub> guarantee should be added ±15% tolerance.

## Label Explanation

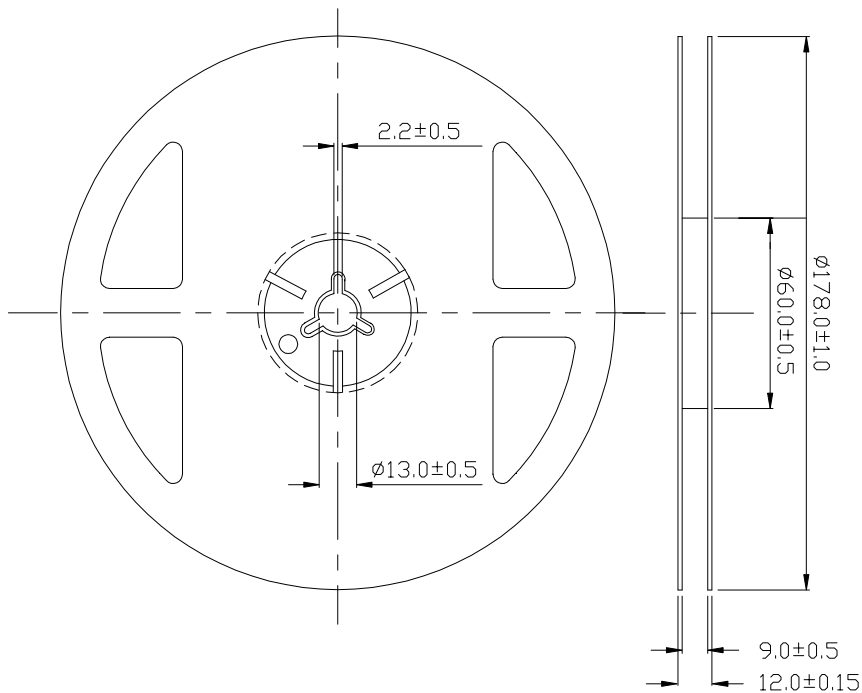
LIGHT Universal Label  
(Reel Label)

<b>LIGHT</b>		
Light Electronics CO., LTD.		
MODEL NAME: _____	 LOT NO.: _____	
QUANTITY: _____		
BIN: _____		
PACKING DATE: _____		
REMARKS: _____		

Customer Defined Label  
(Aluminum Moisture Proof Bag Label)

<b>LIGHT</b>		
Light Electronics CO., LTD.		
MODEL NAME: _____	 LOT NO.: _____	
QUANTITY: _____		
BIN: _____		
PACKING DATE: _____		
CUSTOMER P/N: _____		

## Reel Dimensions



**Note:** Tolerance unless mentioned is  $\pm 0.2$ mm; Unit = mm



