



SL-T2835WD060-L70-A-XX

DATA SHEET

SPEC.NO.: SZ22081701
DATE: 2022/08/17
REV.: A/0

Approved By:

Checked By:

Prepared By:

LIGHT

(J 8-0 5

MD F DA A M4 G *
)

(J 8-0 5

Forward Current

Pulse Forward Current

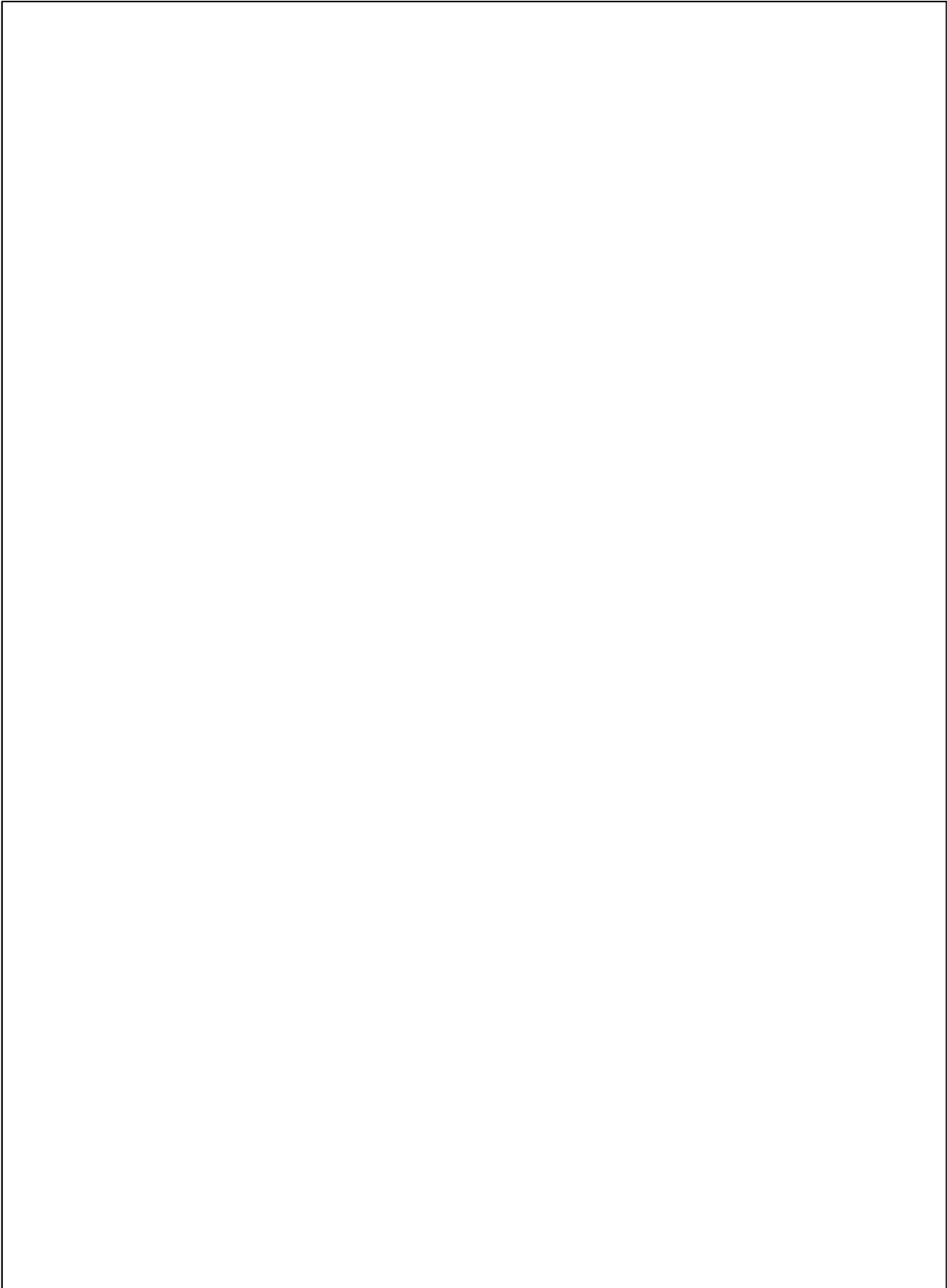
Power Dissipation

Operating Temperature

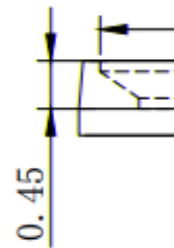
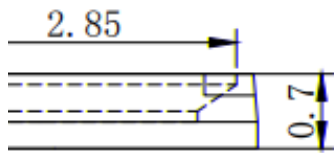
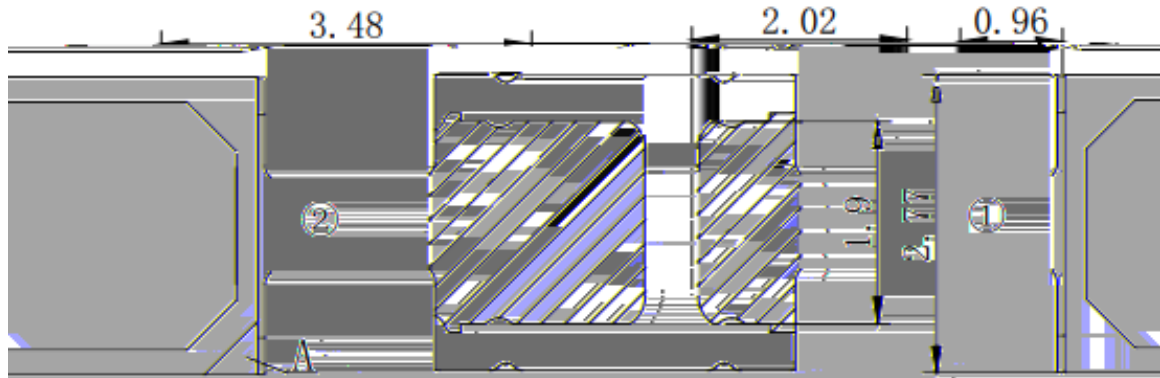
Storage Temperature

Junction Temperature

Welding temperature

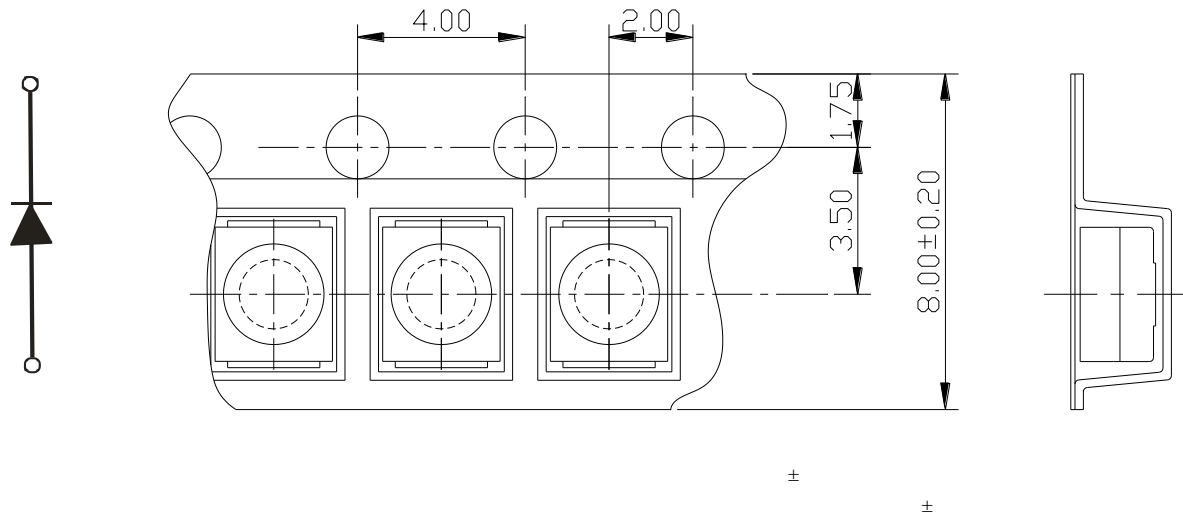


J

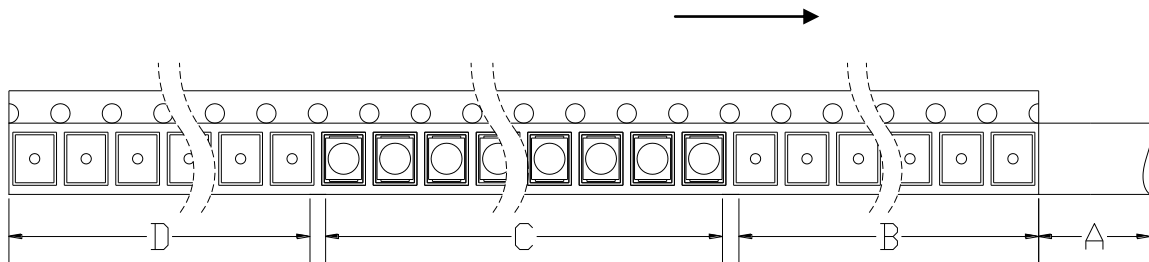


Polarity

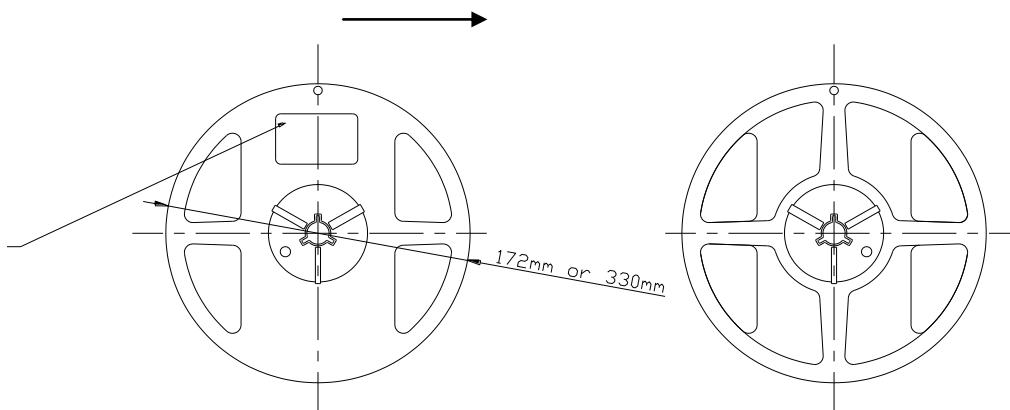
K



J

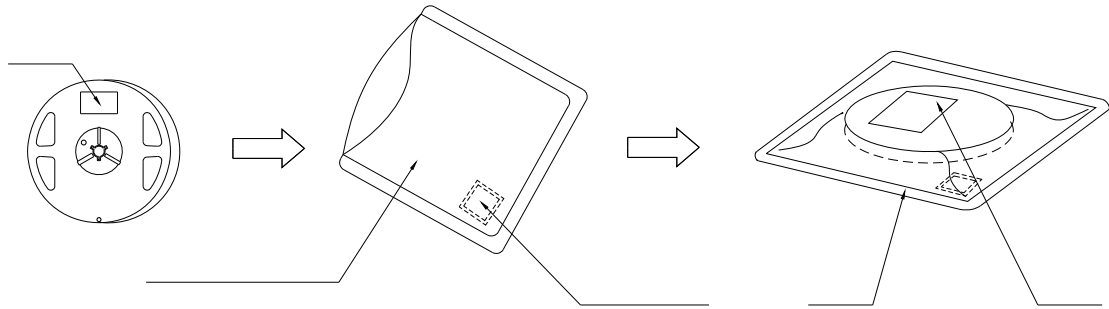


M

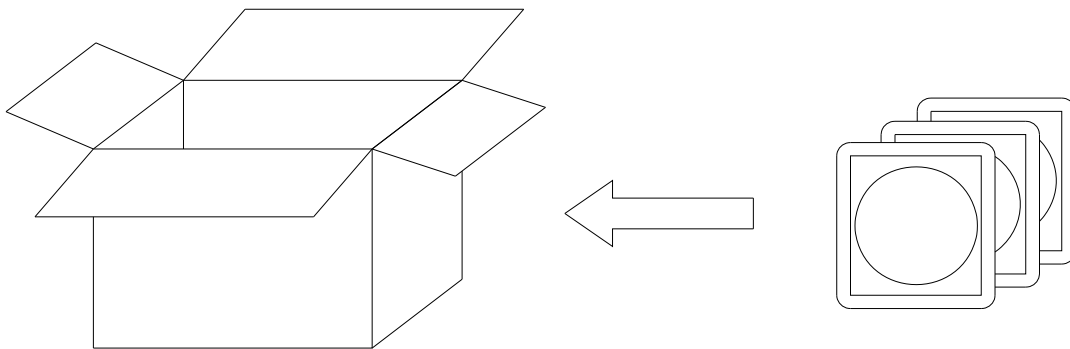




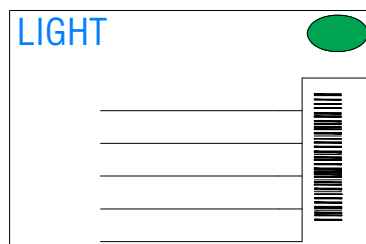
Moisture Proof and Anti-Electrostatic Foil Bag



Cardboard Box

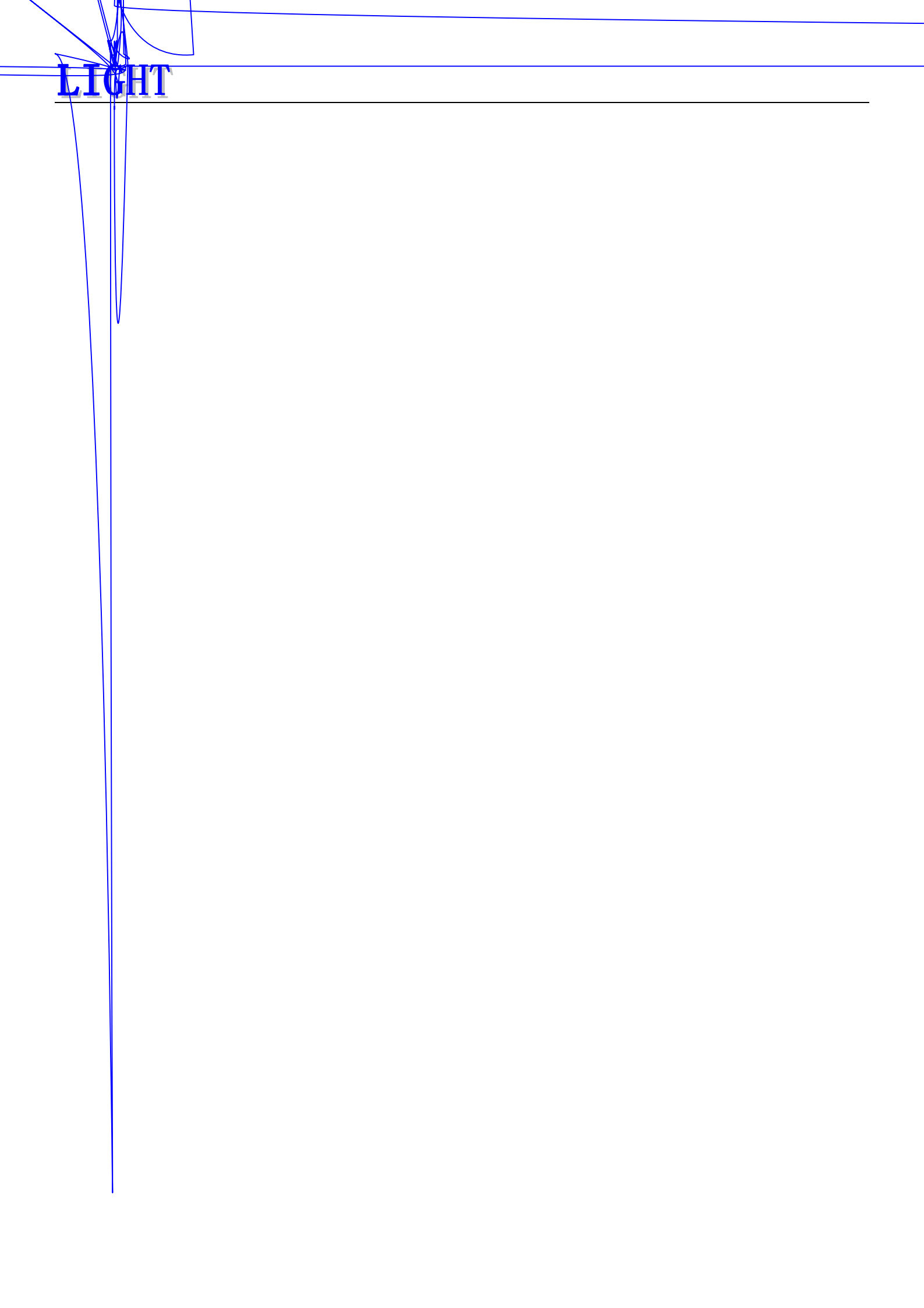


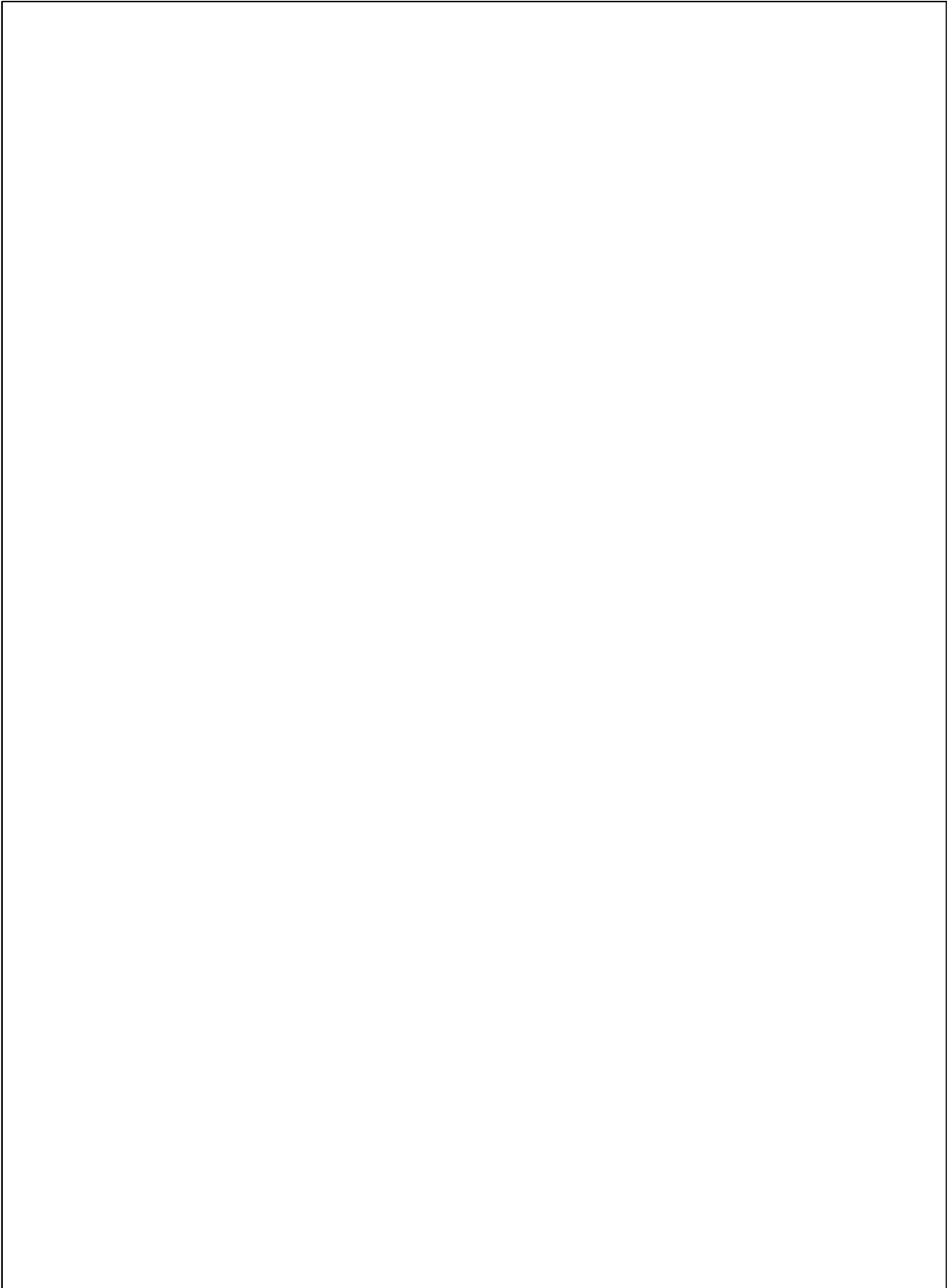
Label Explanation

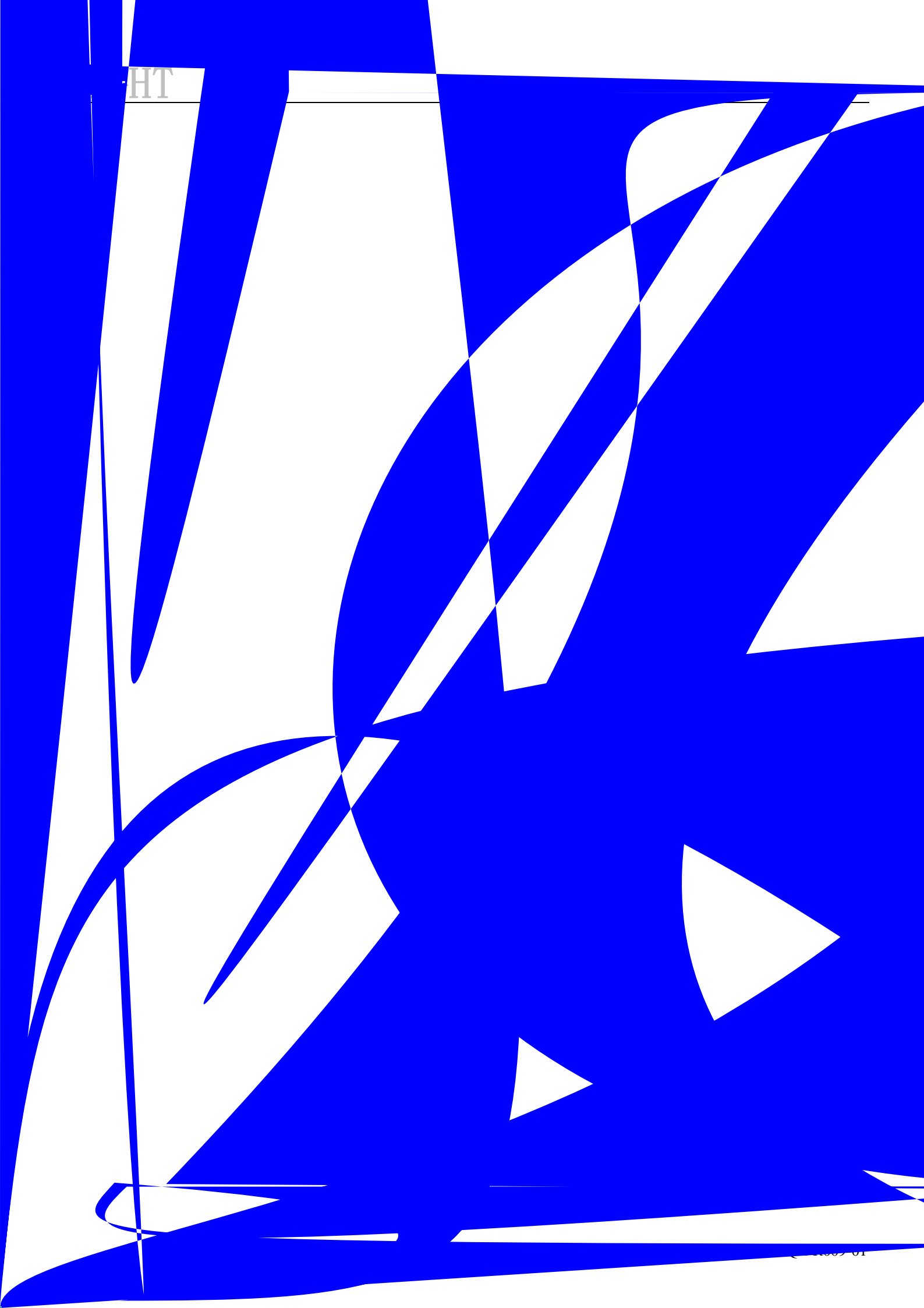


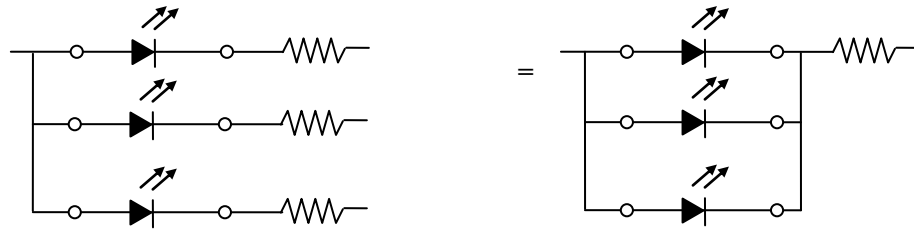
| | |
|--|--|
| | |
| | |
| | |

LIGHT



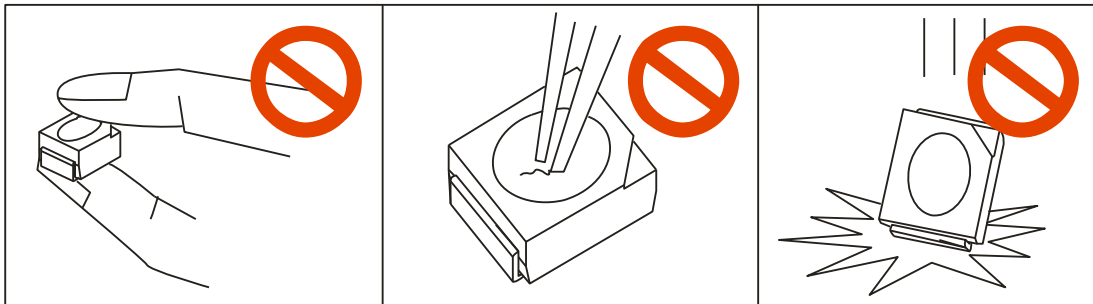






1)

J



B N

B N

DA81

8-0

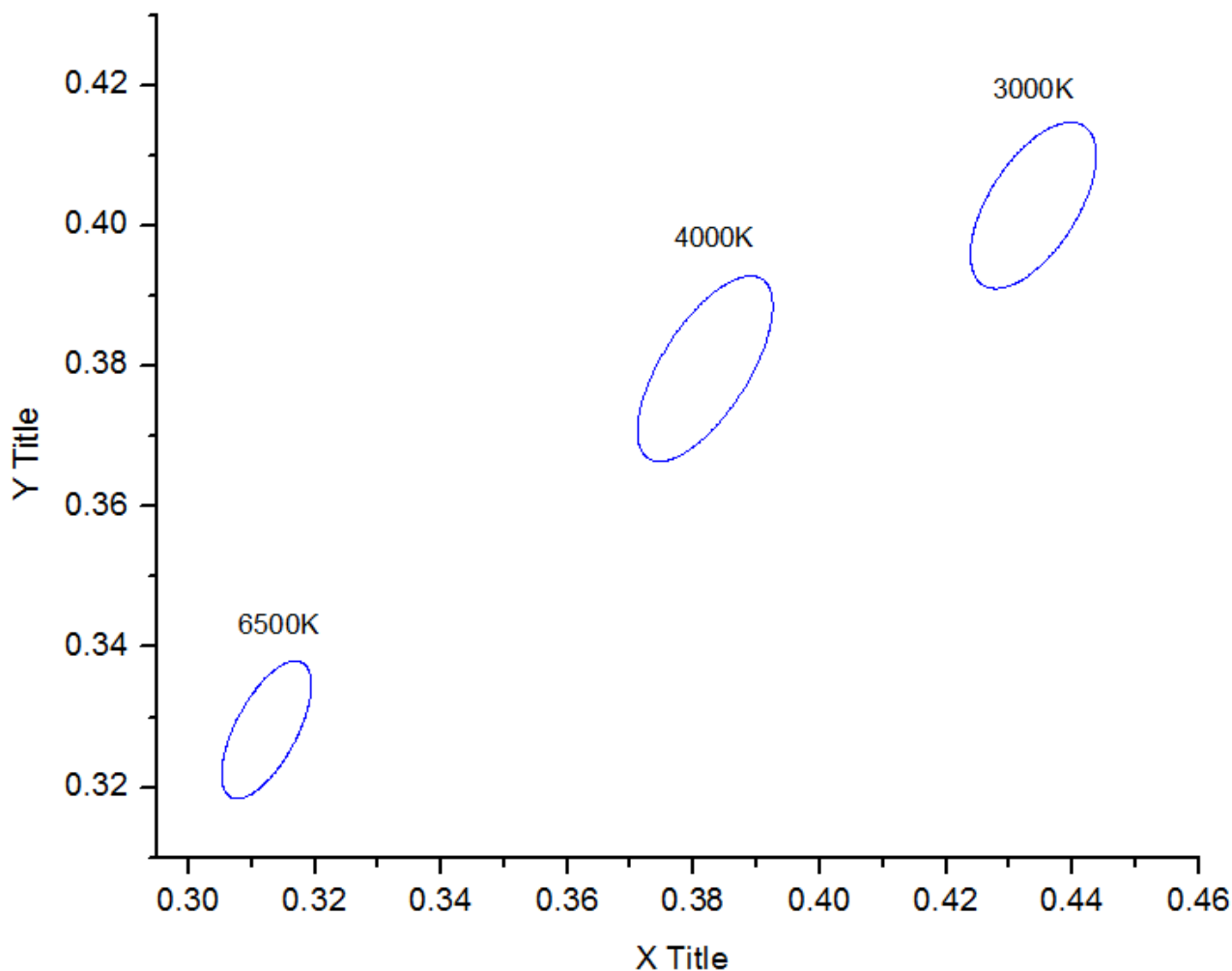


| | |
|--|--|
| | |
| | |
| | |
| | |
| | |
| | |
| | |
| | |

| | |
|--|--|
| | |
| | |
| | |
| | |
| | |
| | |
| | |
| | |

DA81

8-0



| | | | | | | |
|-----|---|--|--|--|--|--|
| | | | | | | |
| . | 0 | | | | | |
| / | 0 | | | | | |
| 100 | | | | | | |

LIG

LIGHTELECTRONICS CO., LTD.
